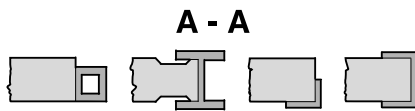
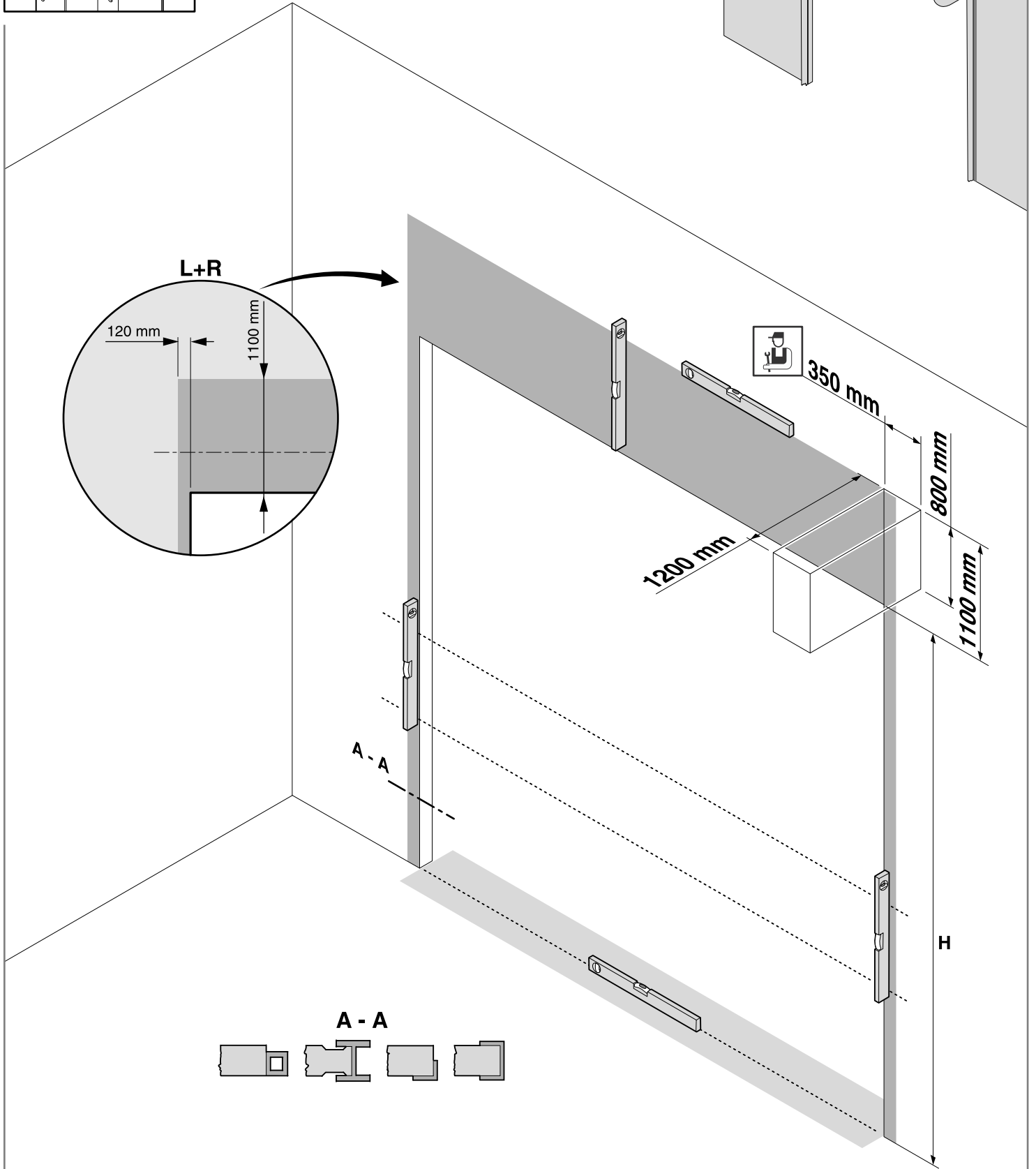
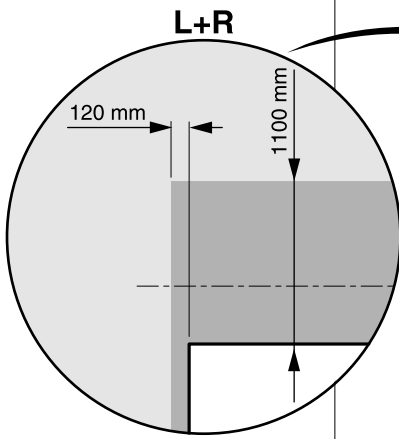
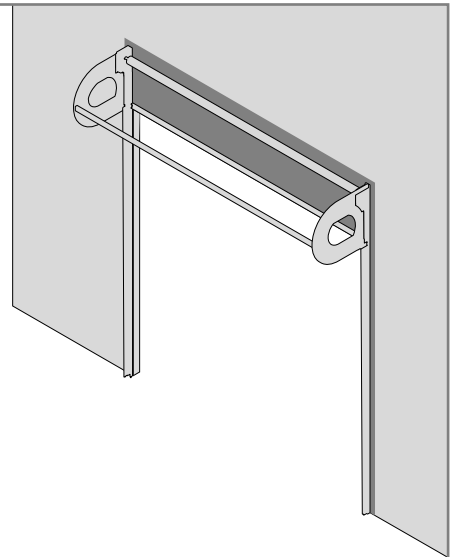
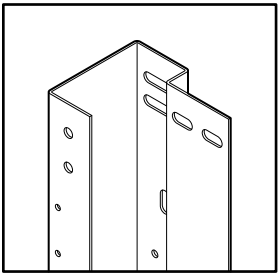
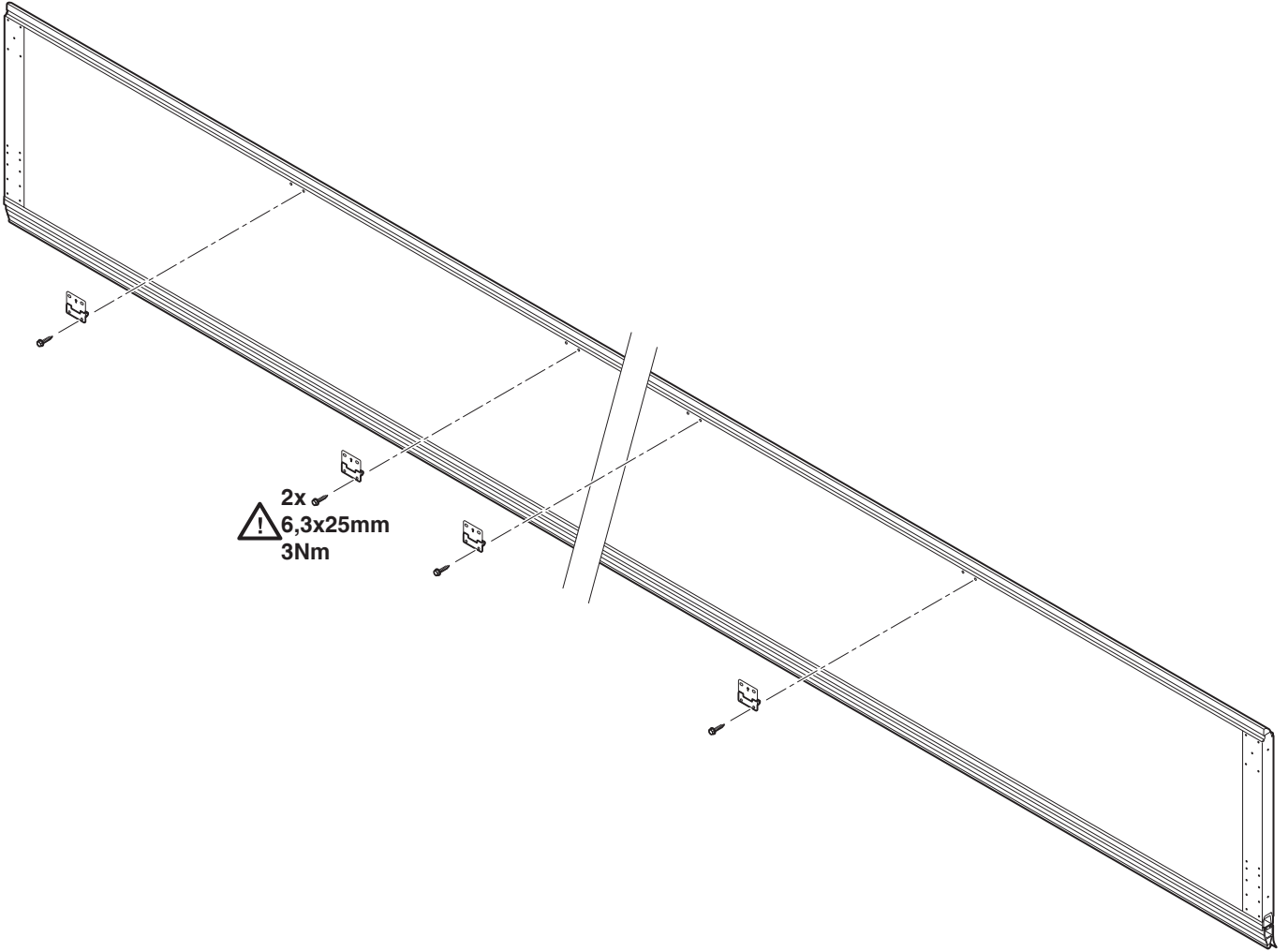
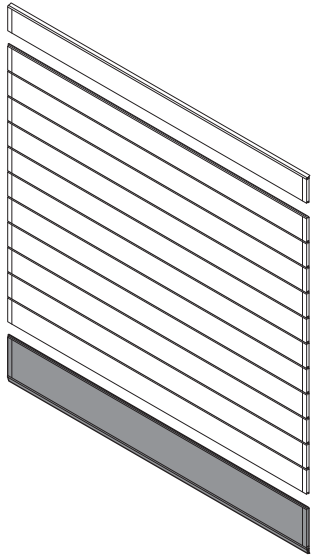
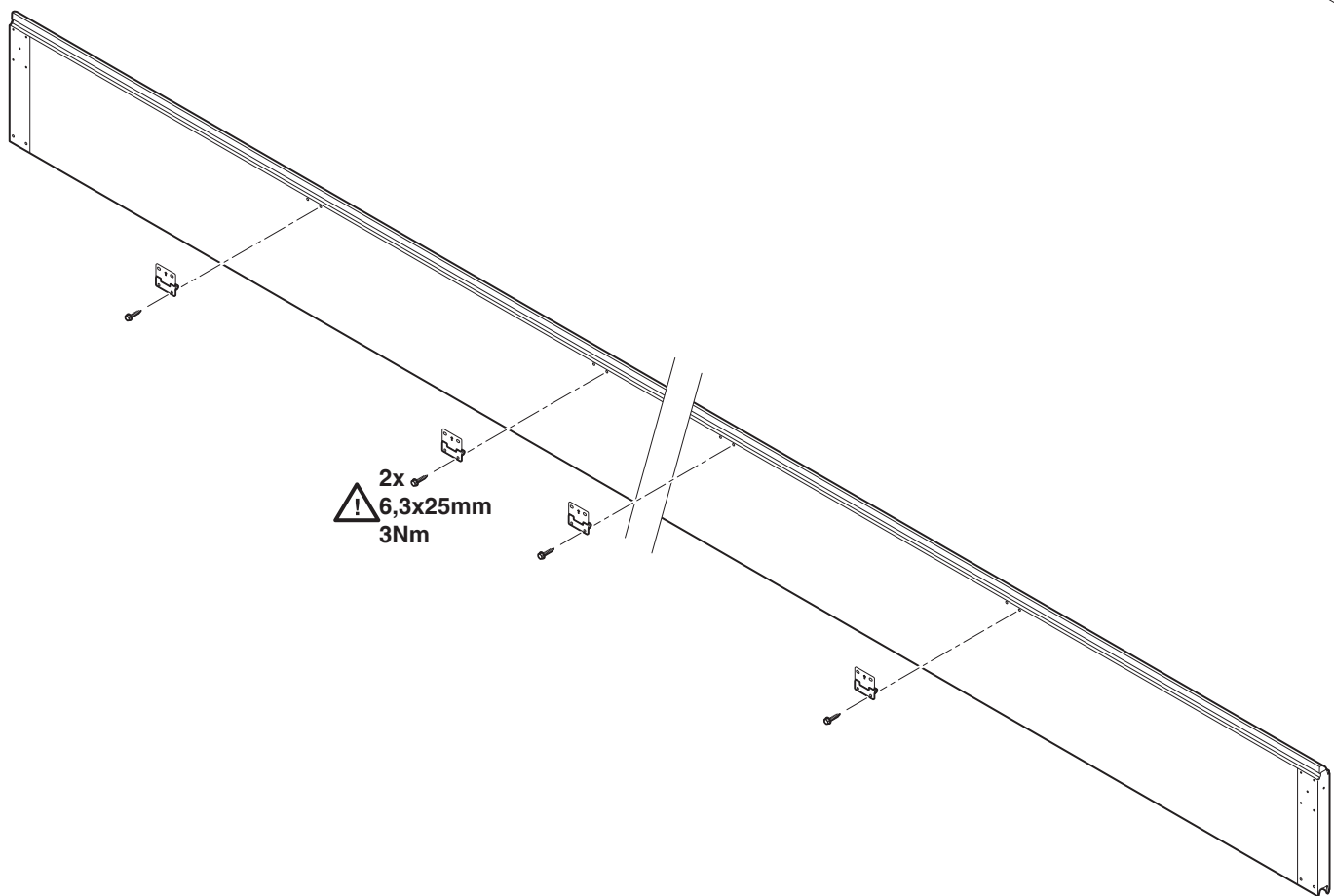
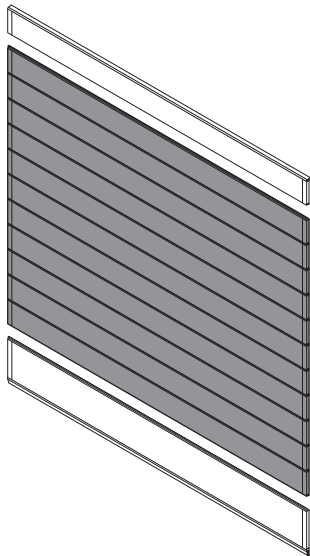


# Helix

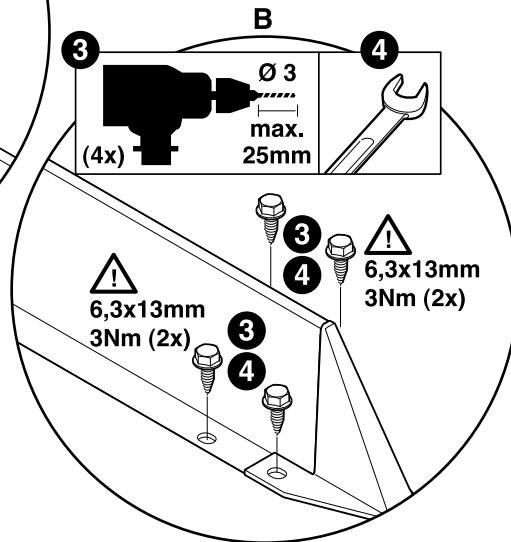
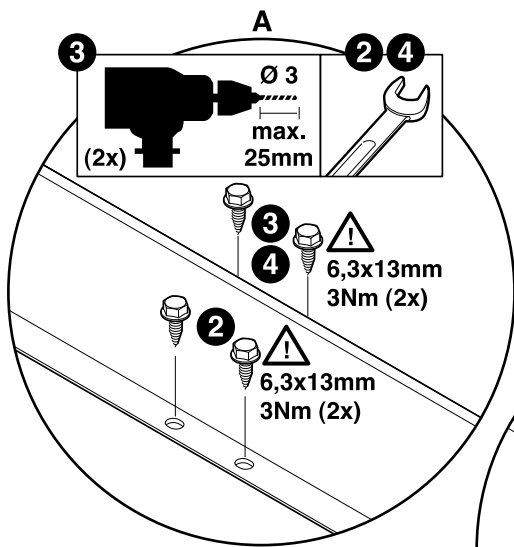
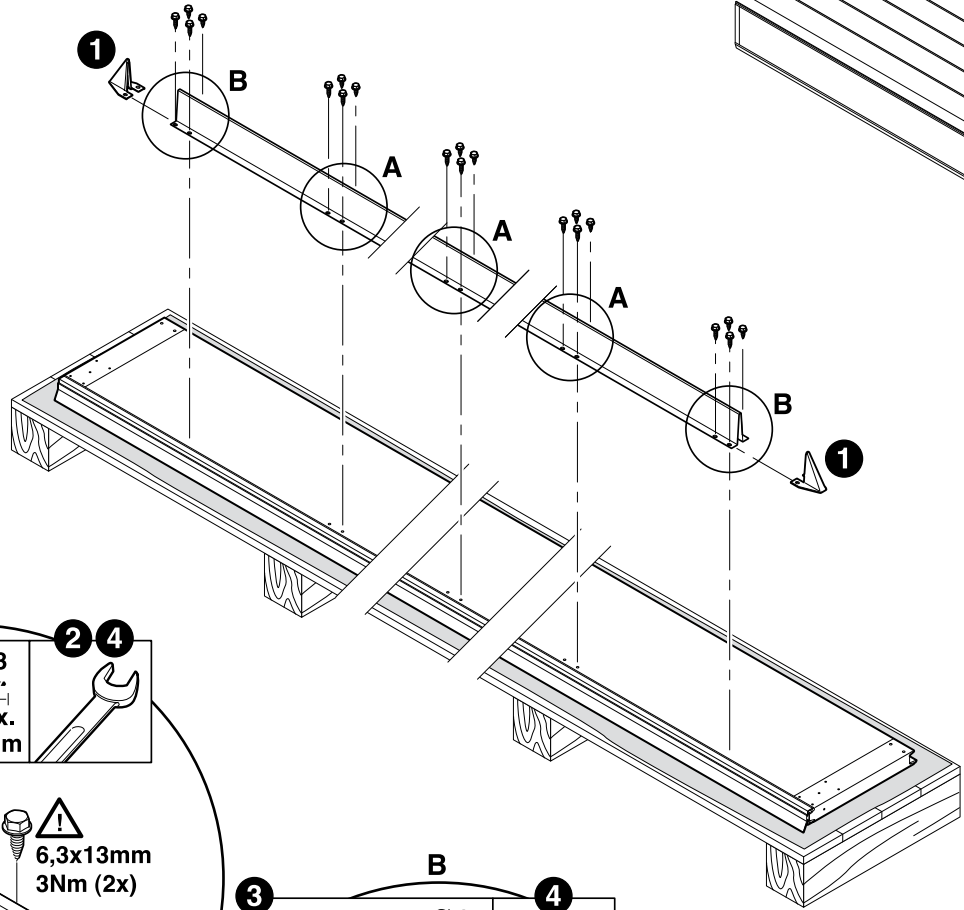
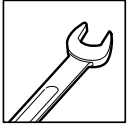
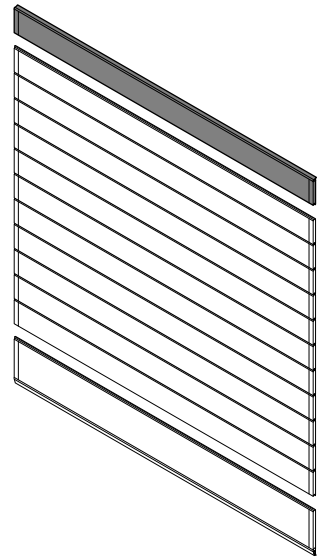


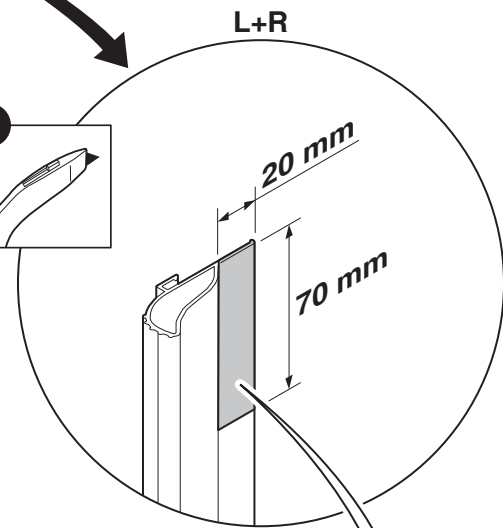
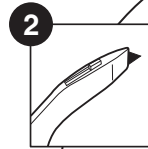
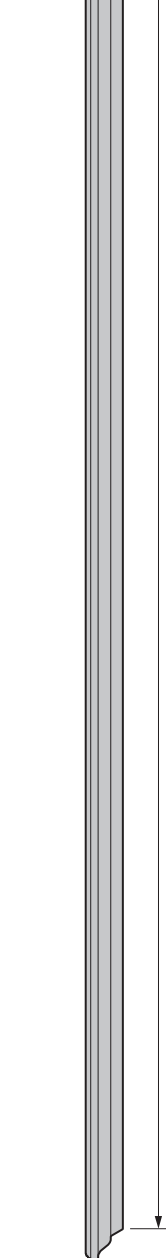
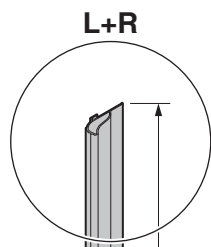
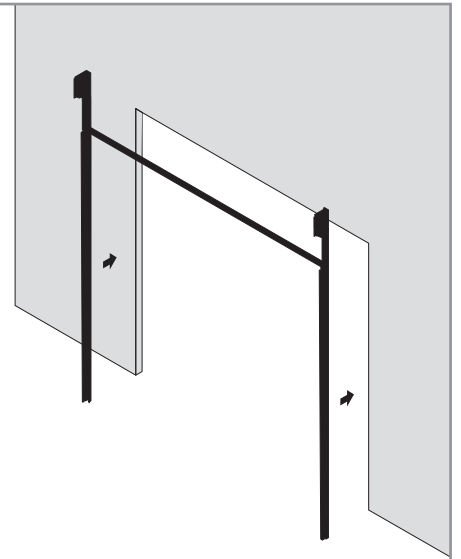
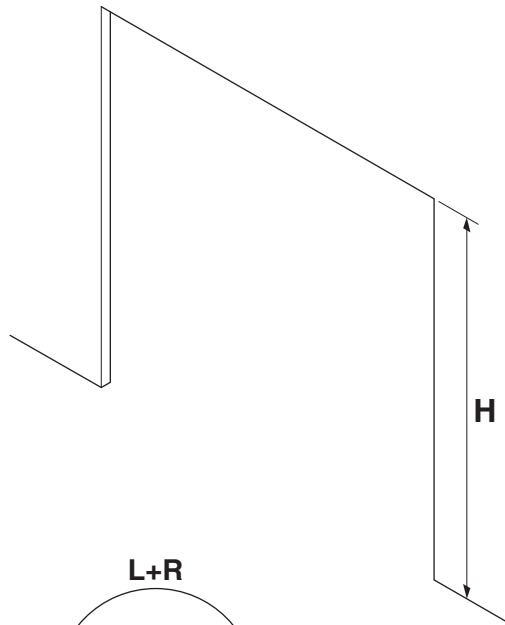


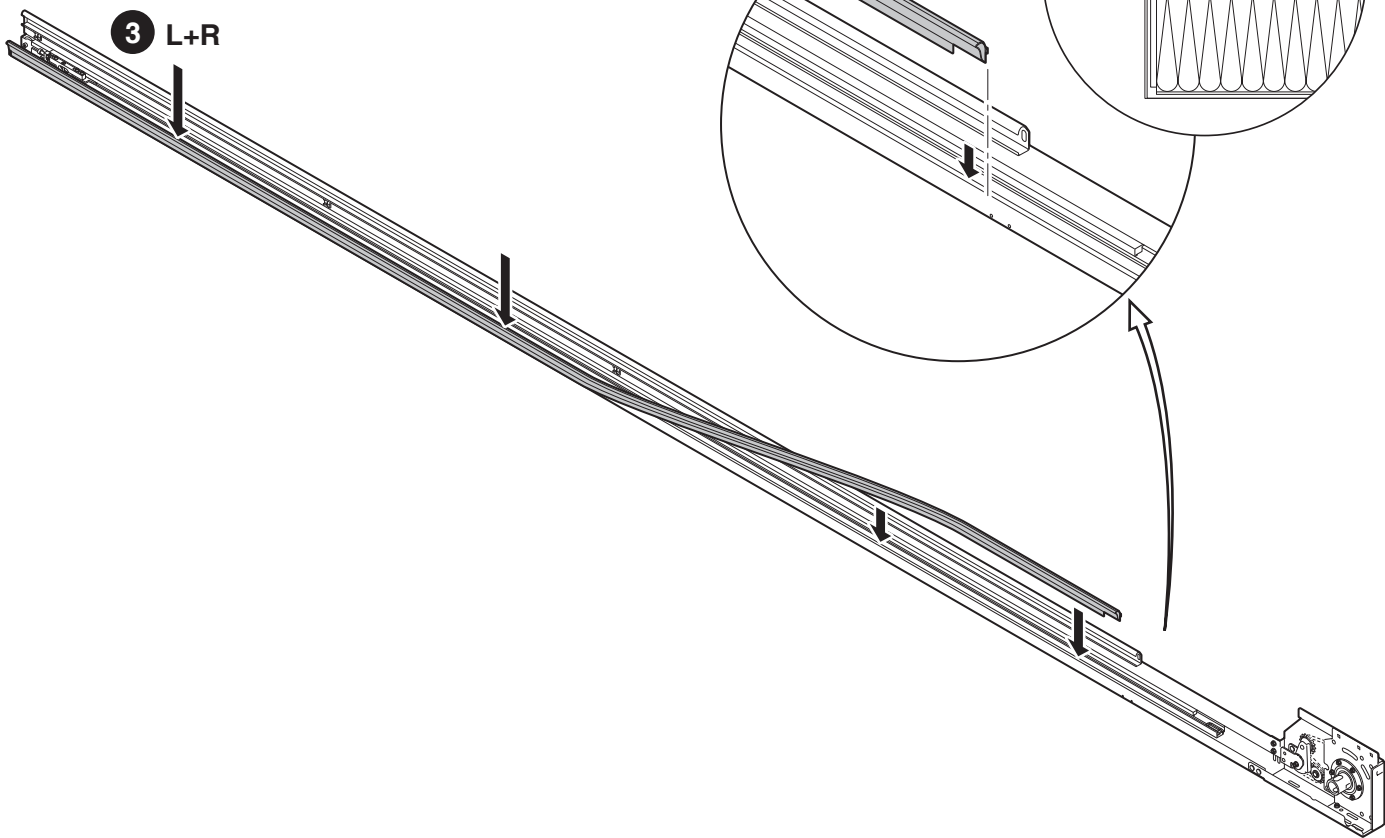
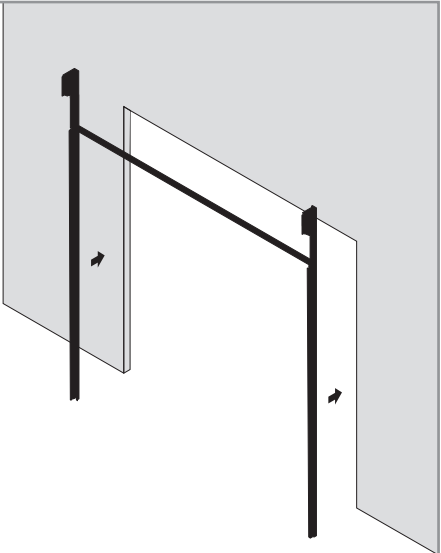


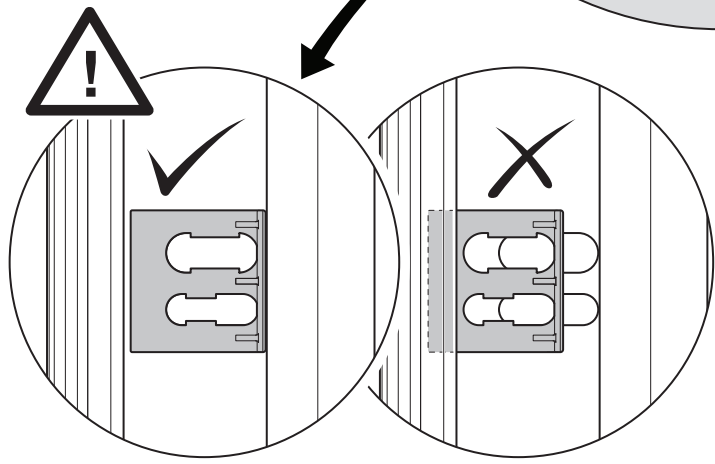
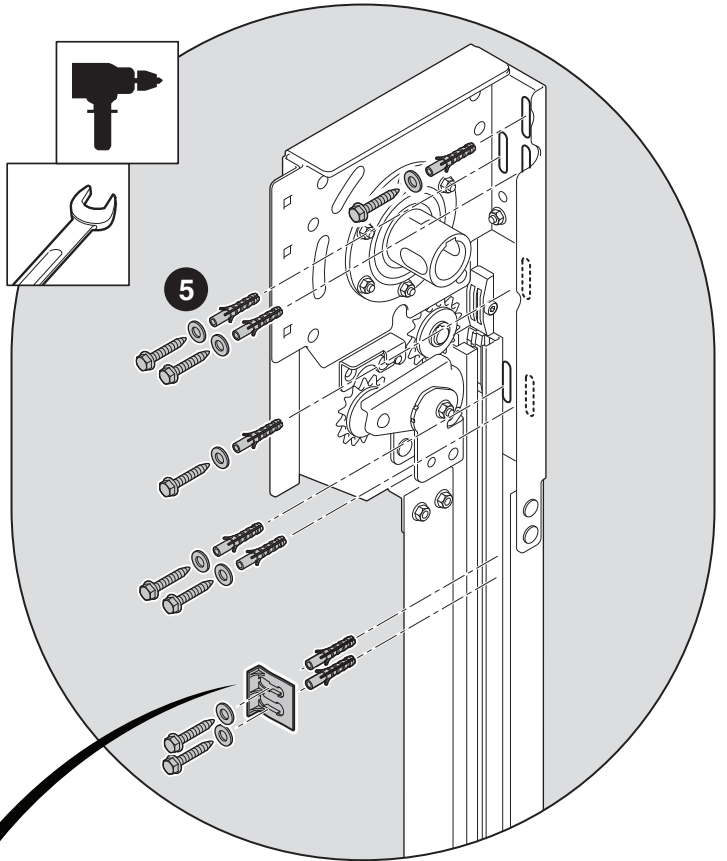
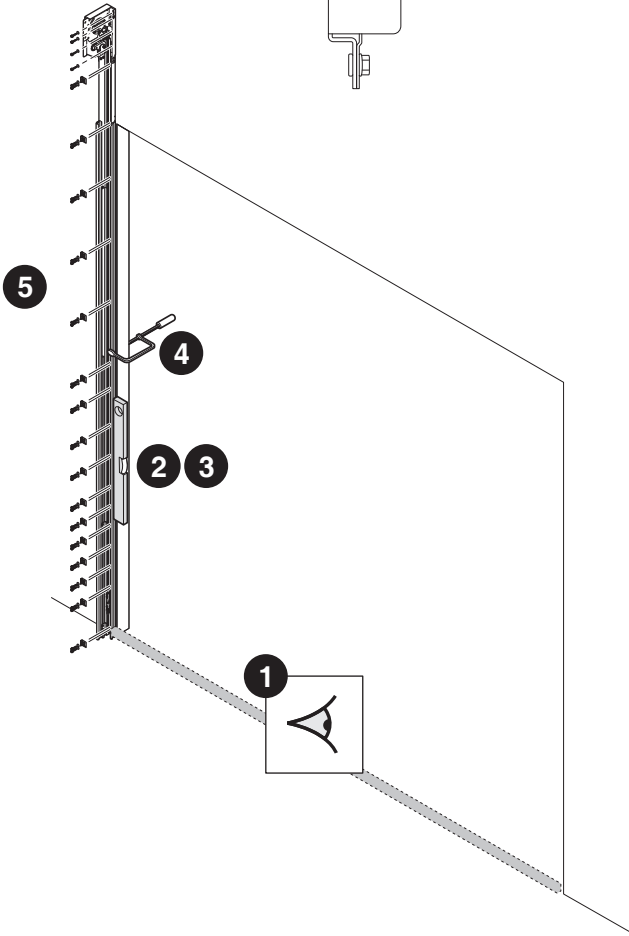
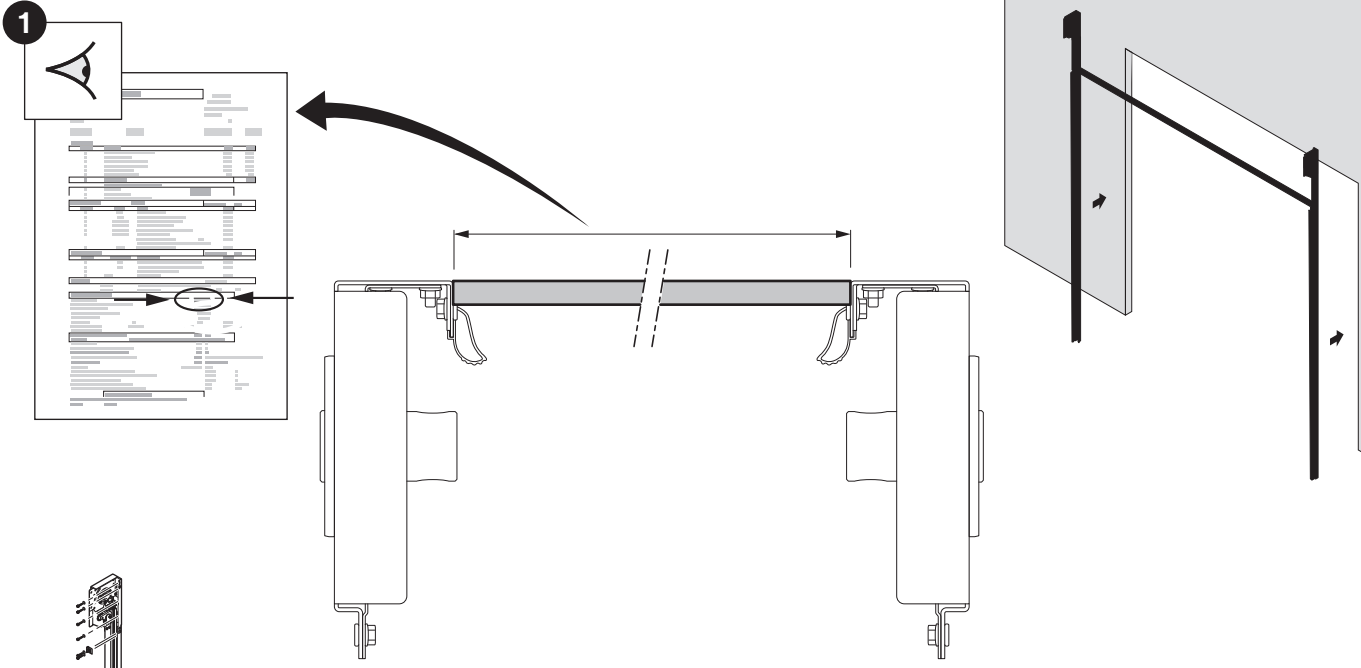


2x  
⚠ 6,3x25mm  
3Nm

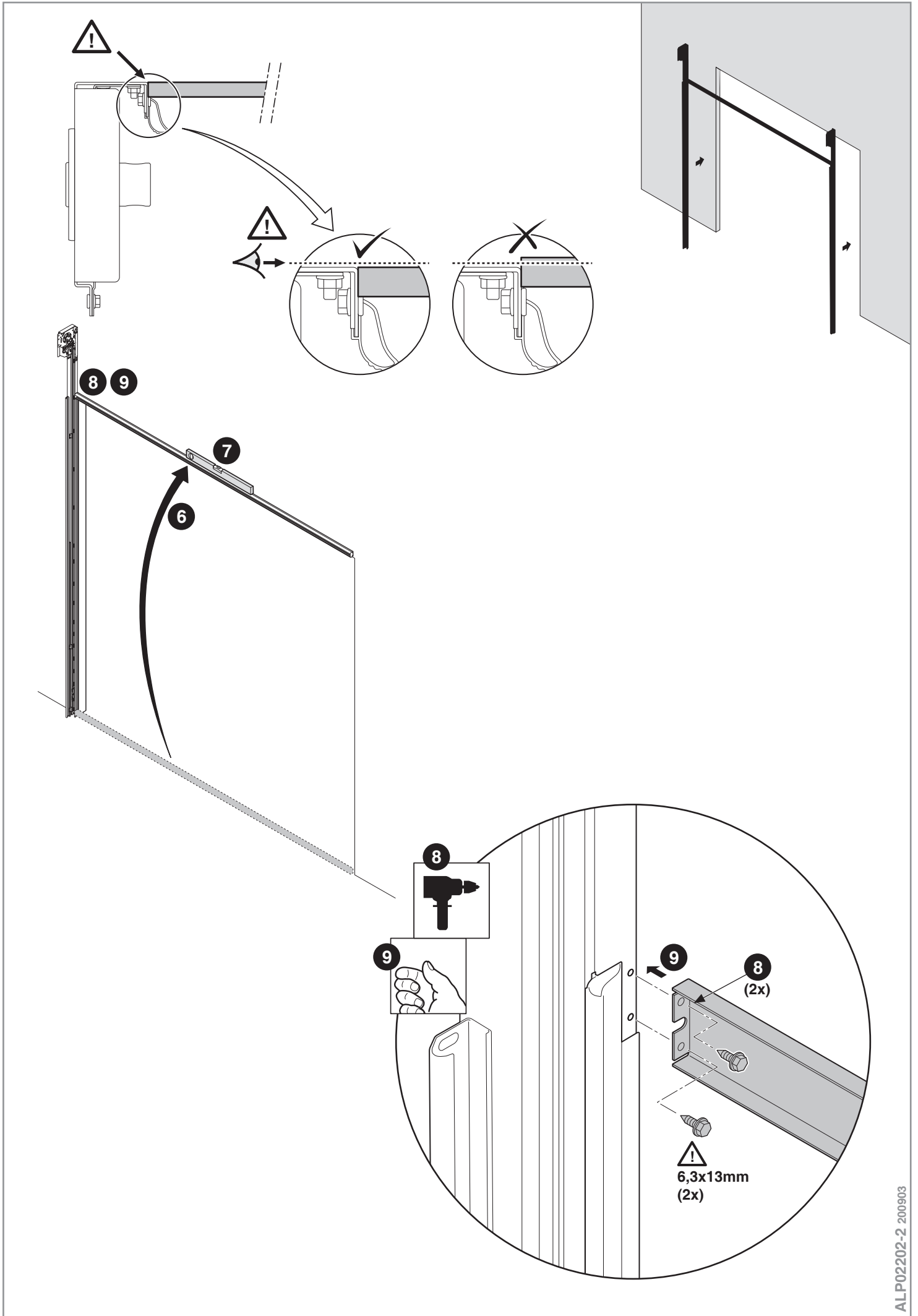


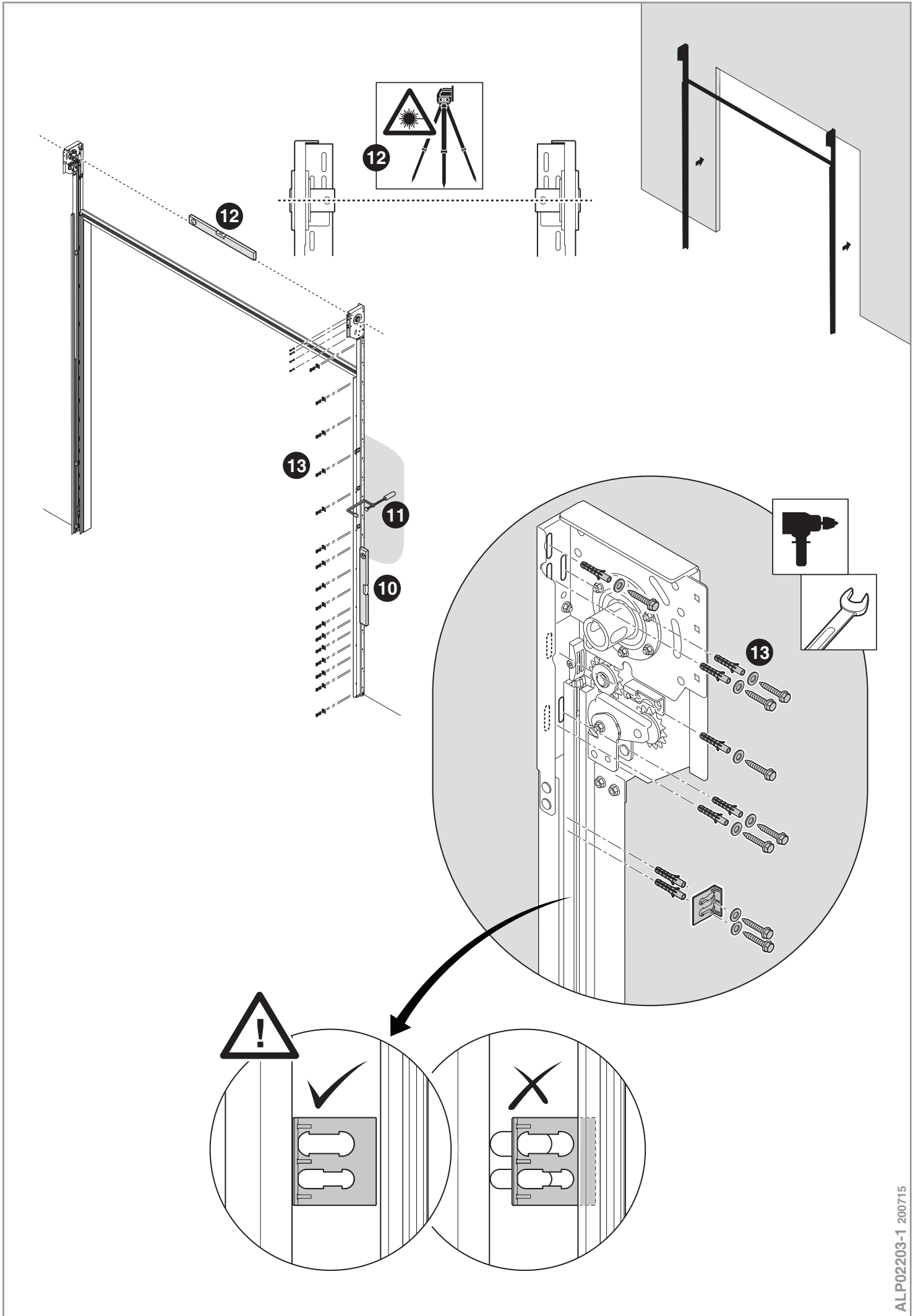


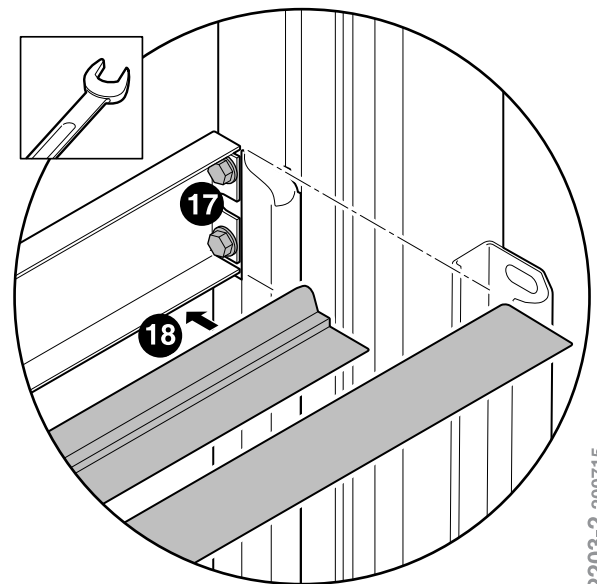
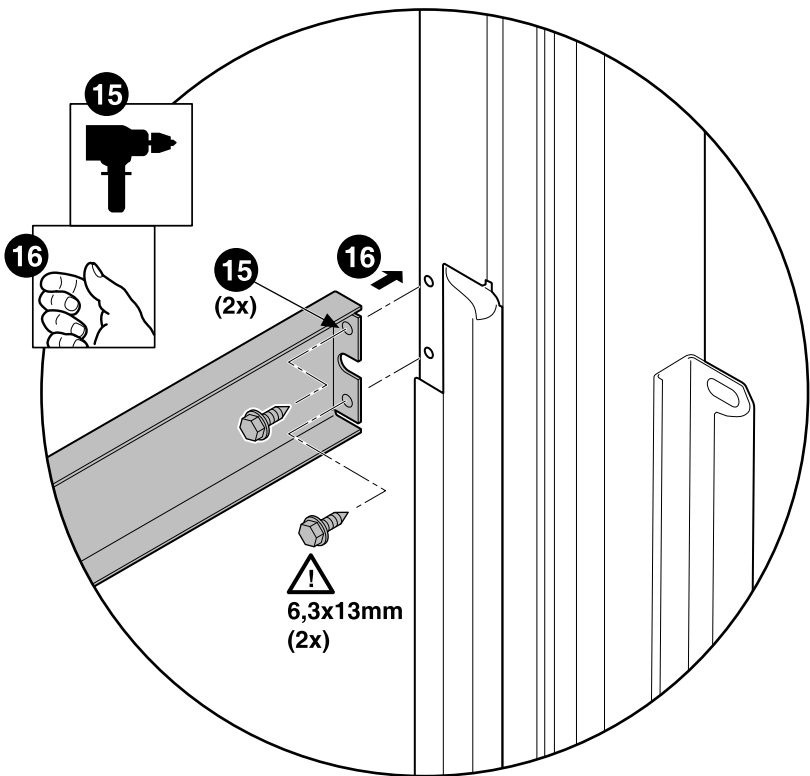
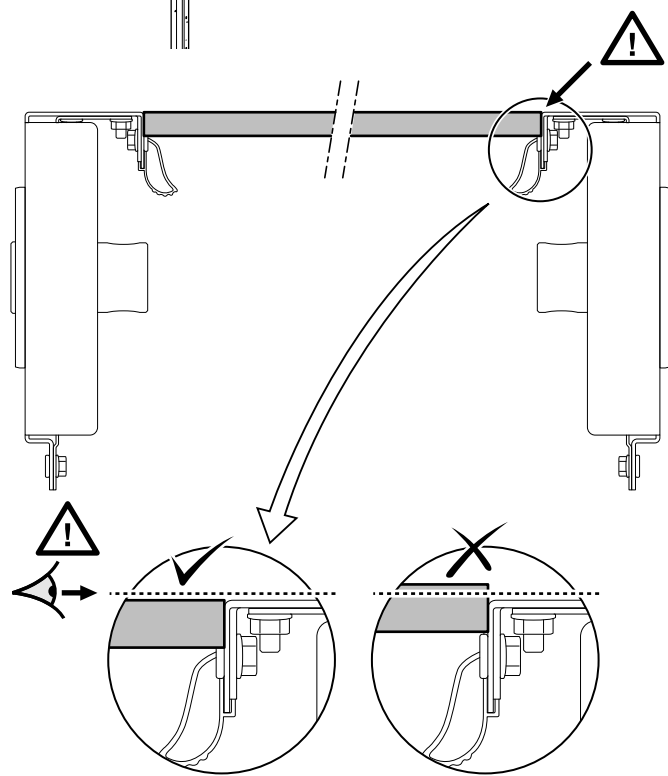
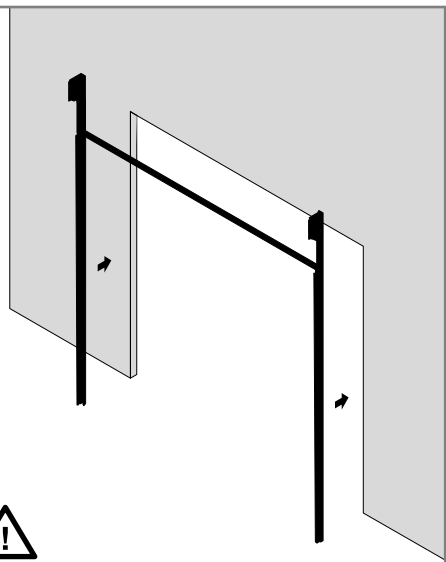
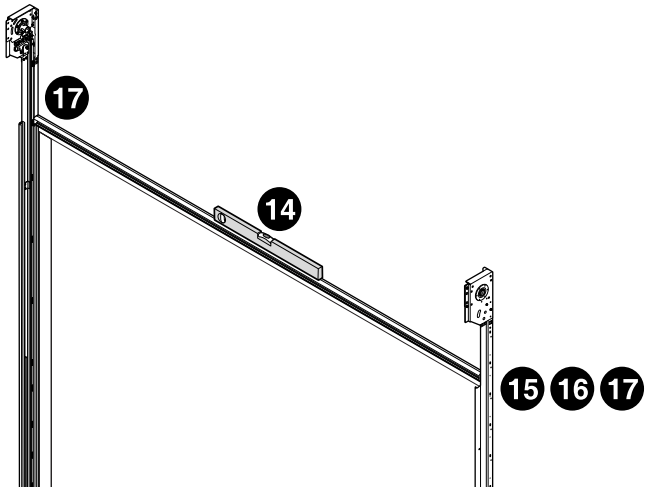


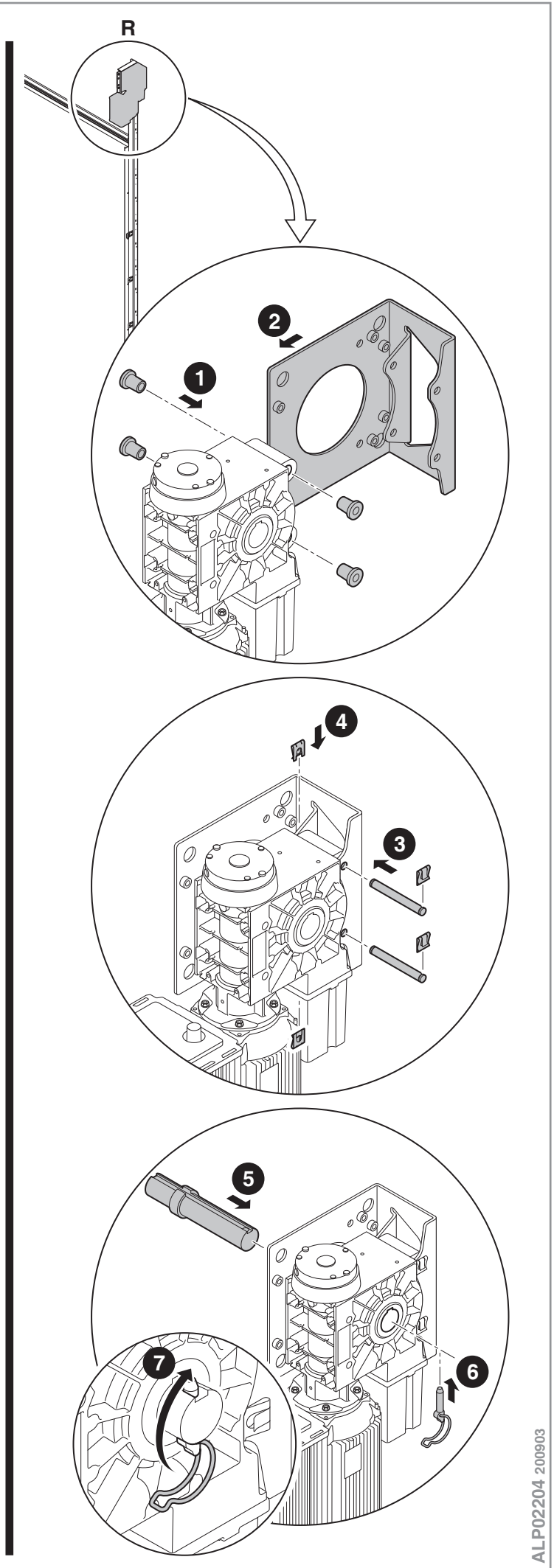
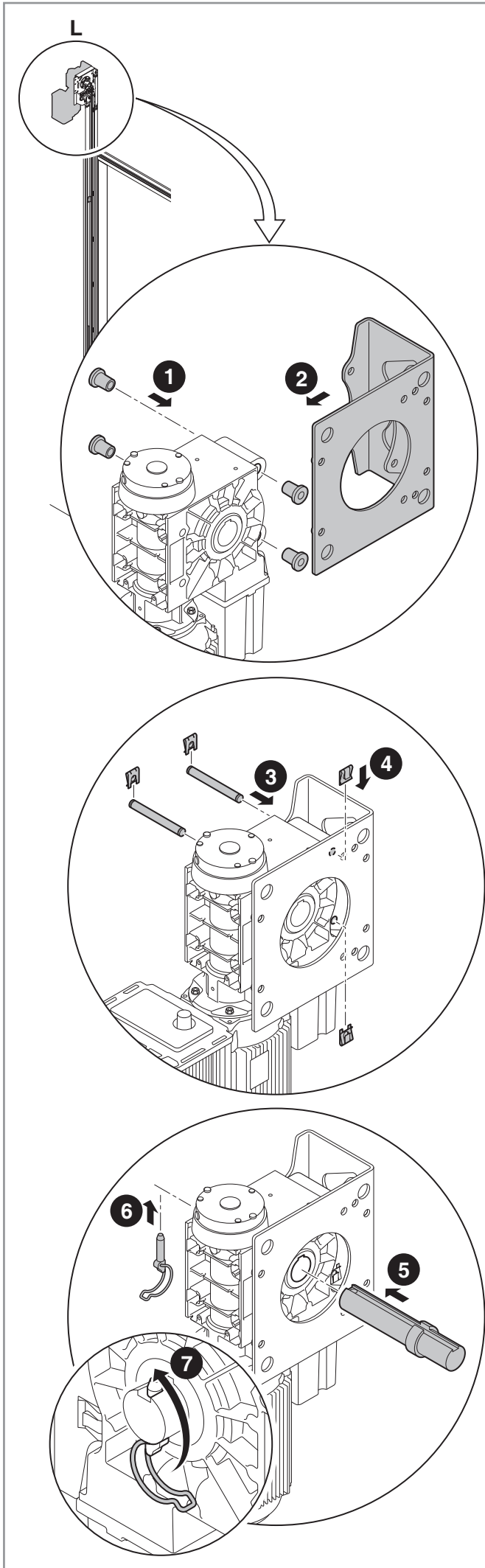


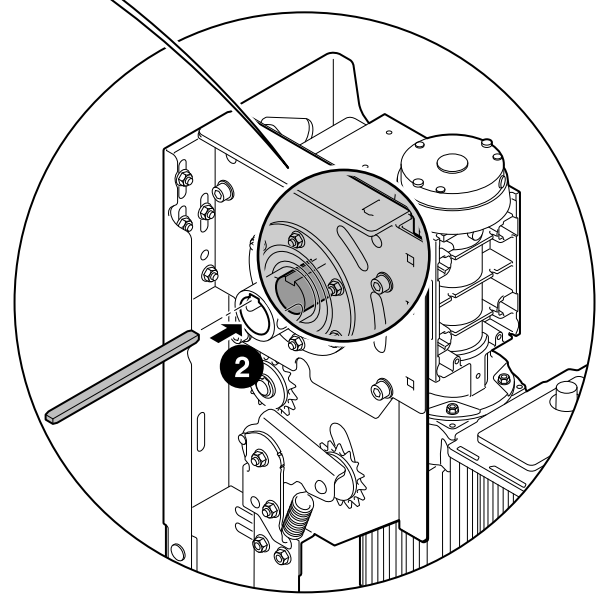
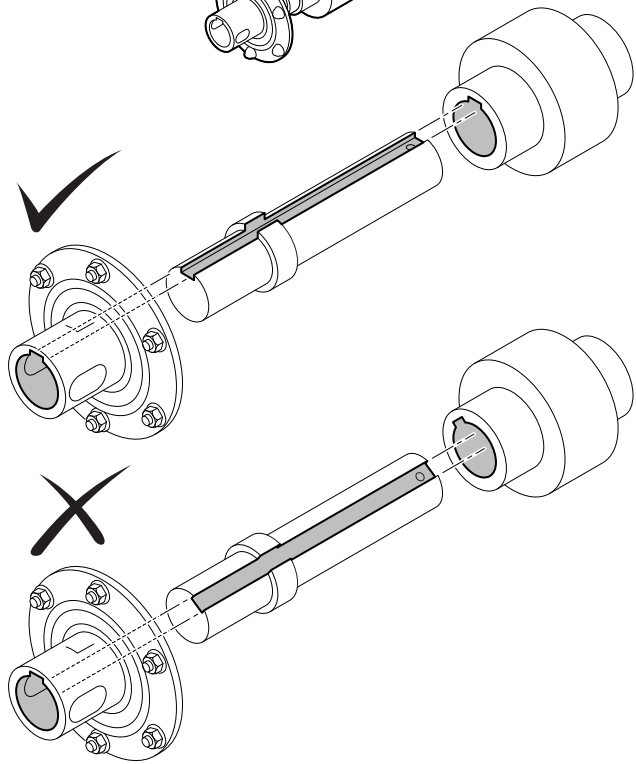
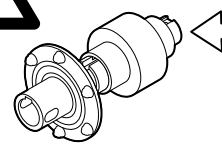
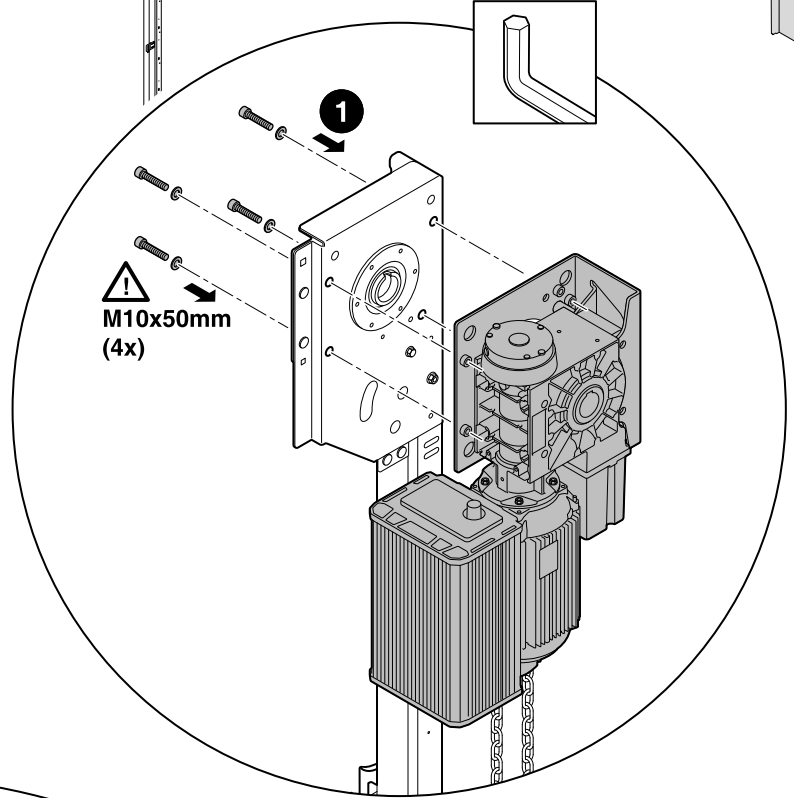
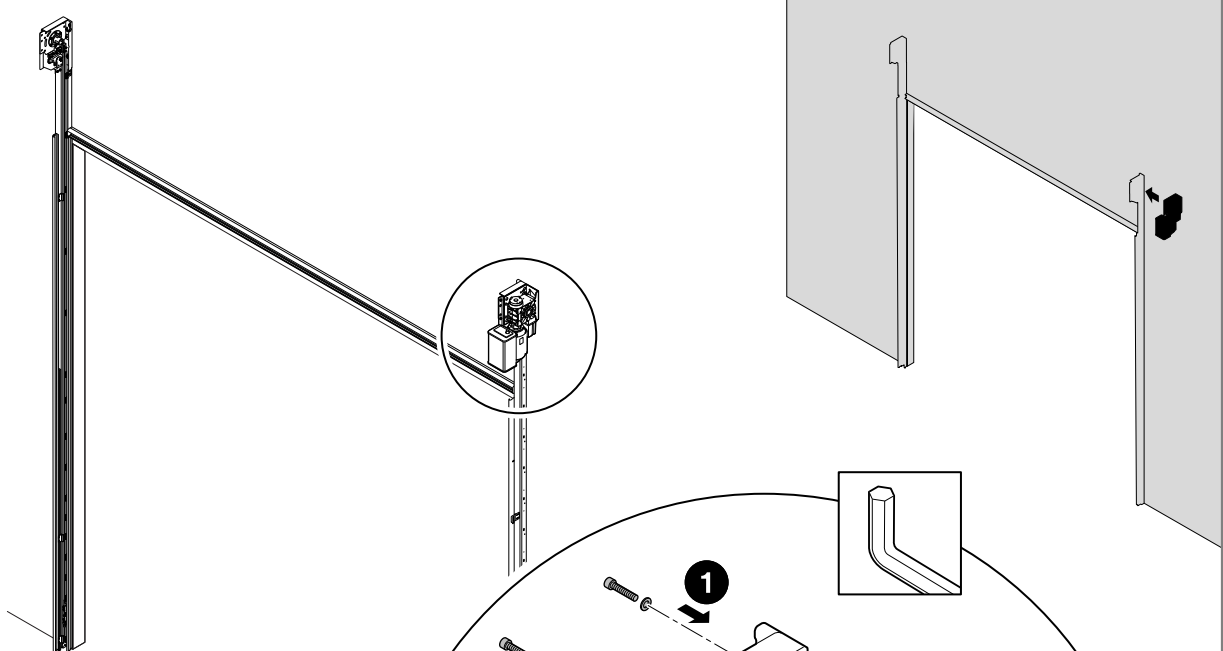


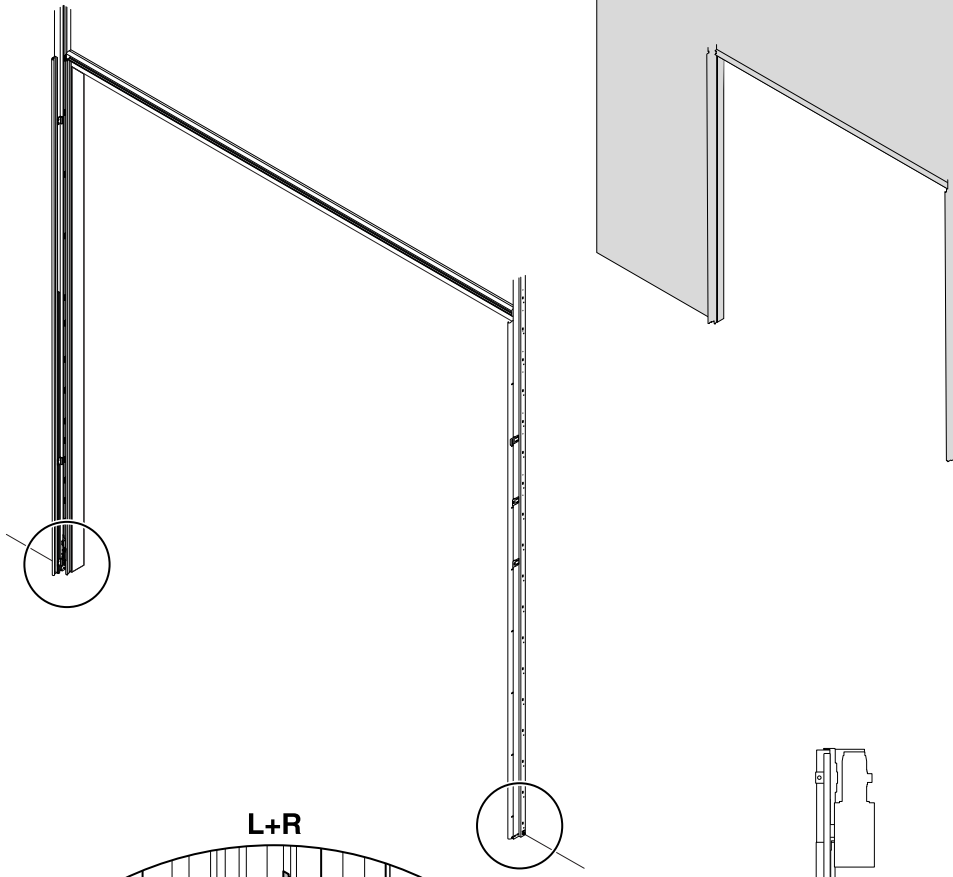




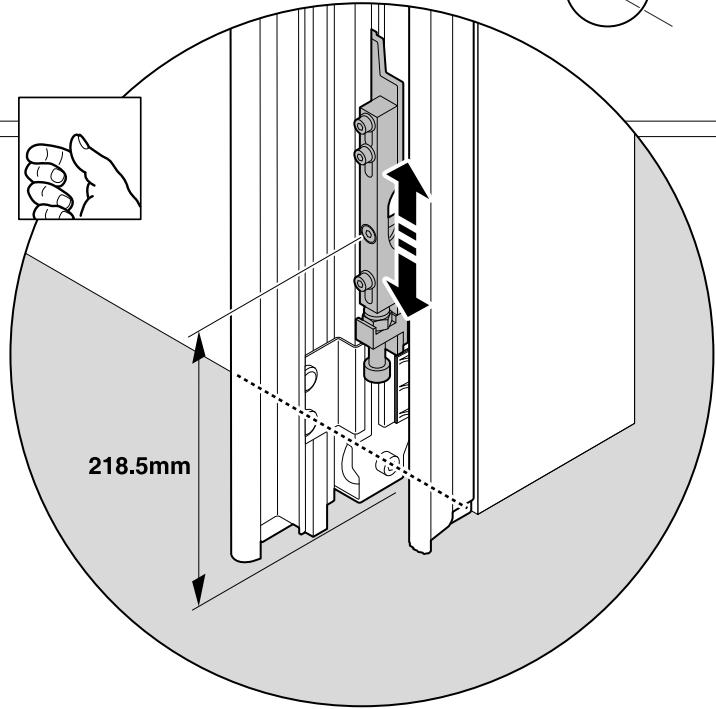




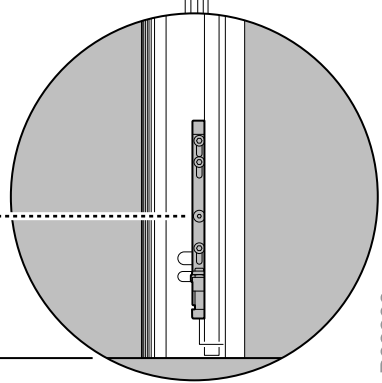
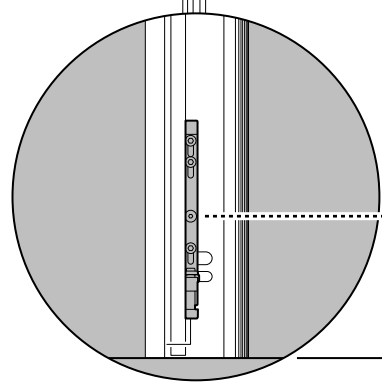


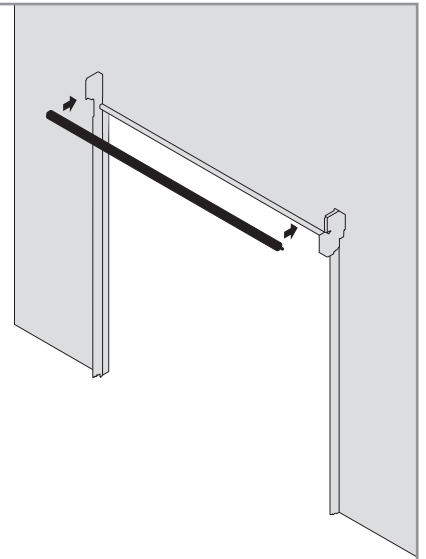
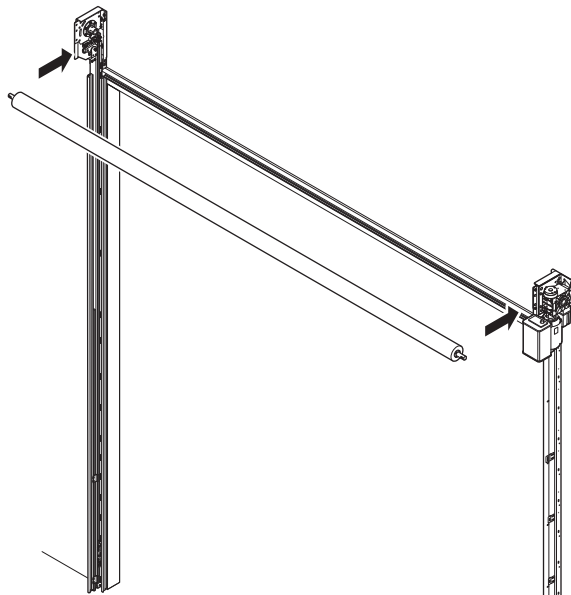


L+R

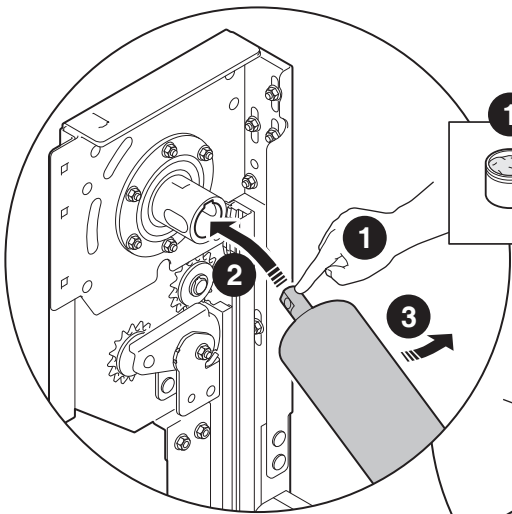


218.5mm

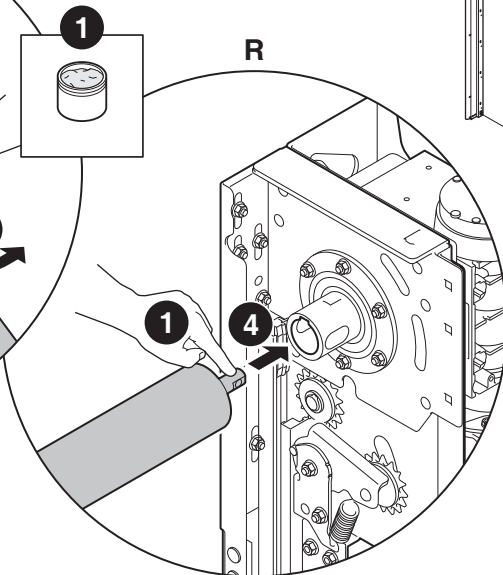




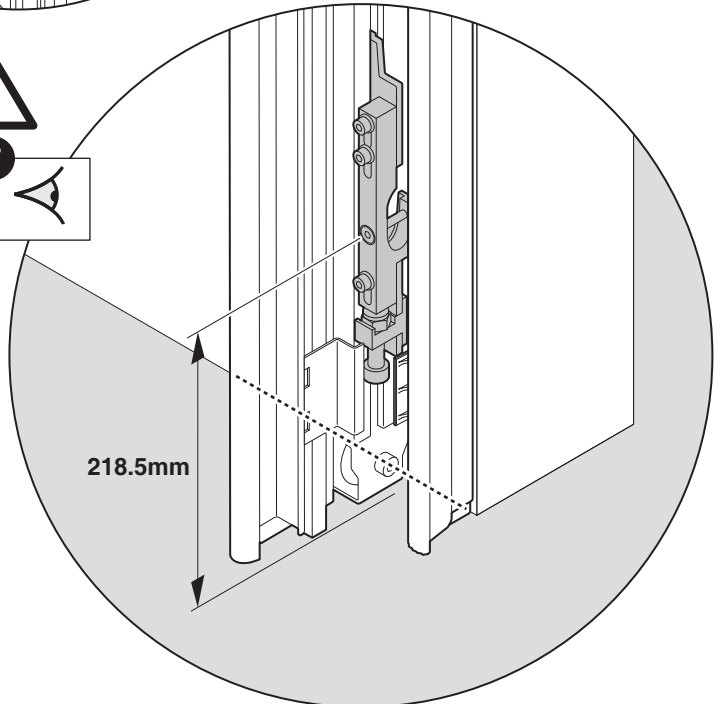
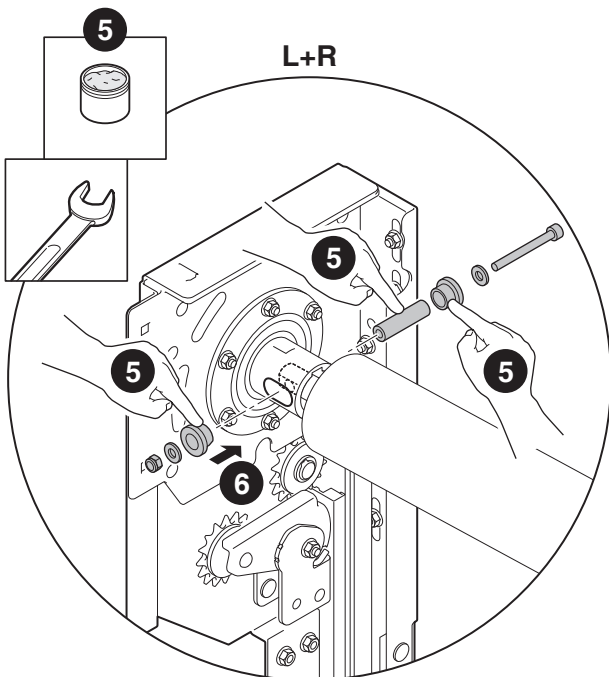
L

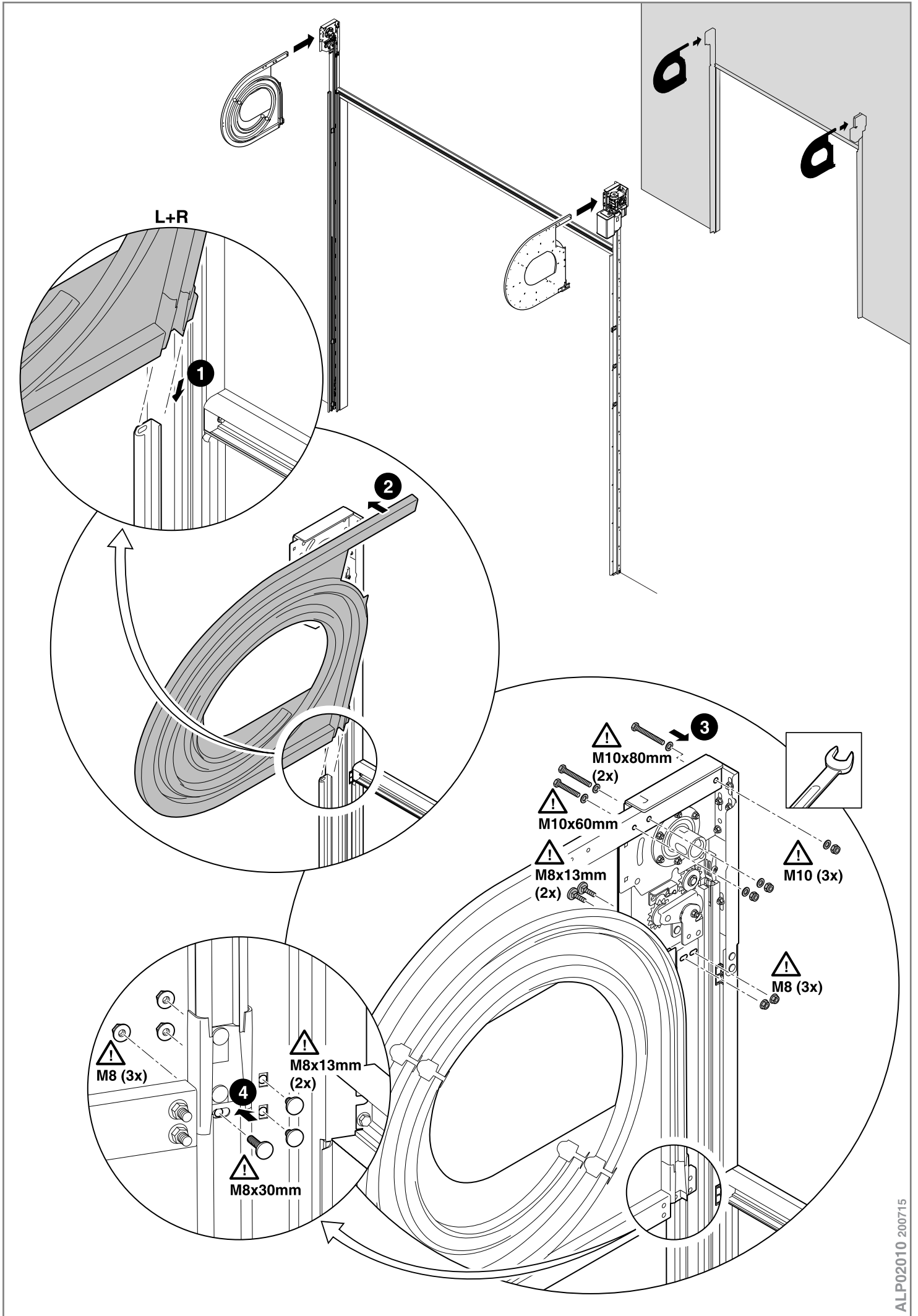


R

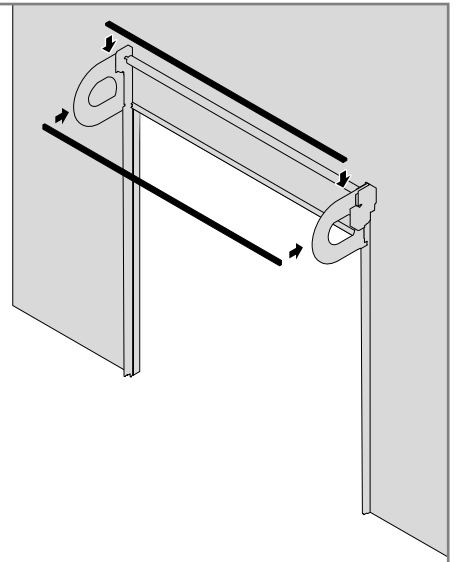
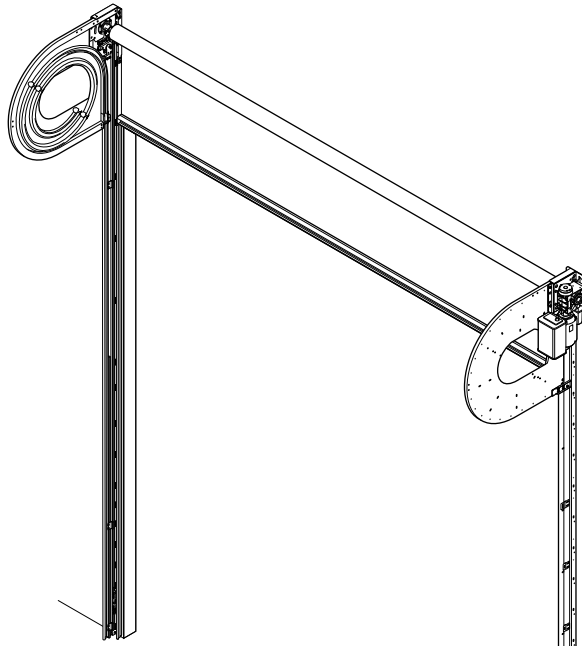


L+R

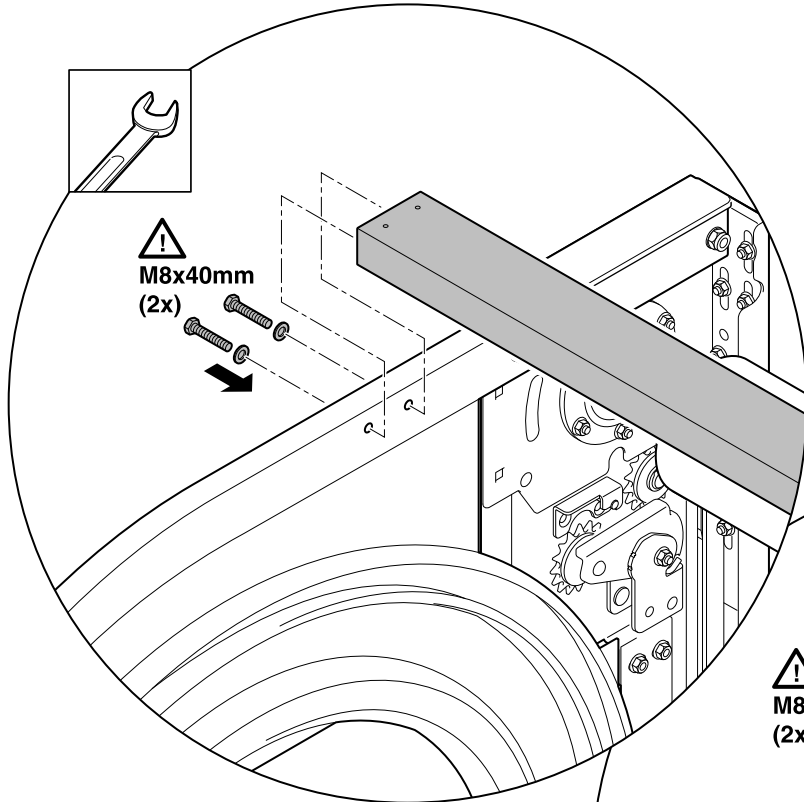




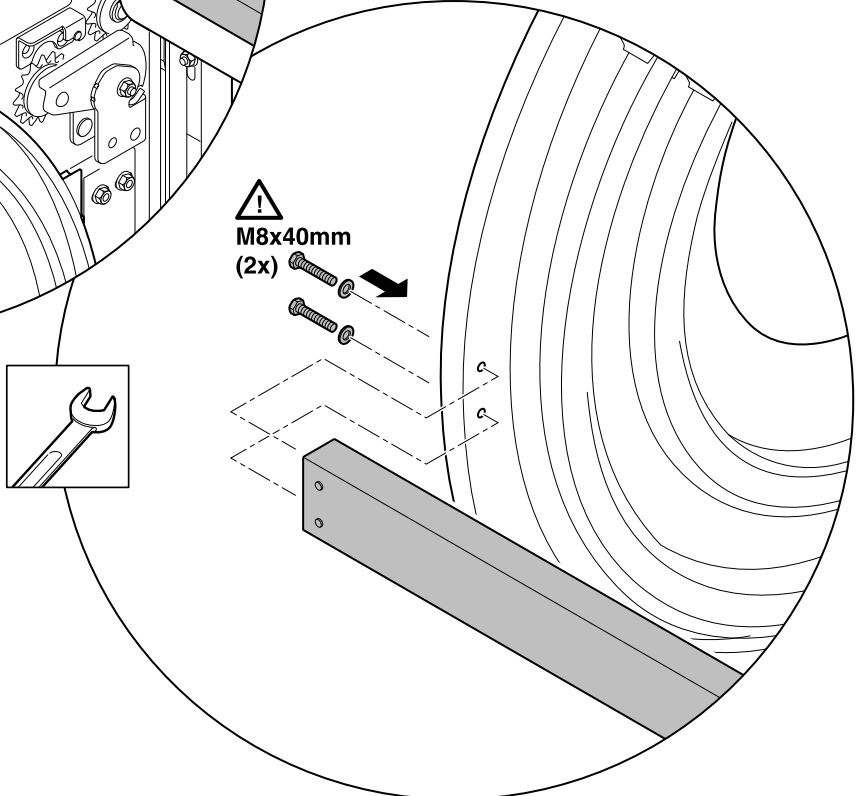


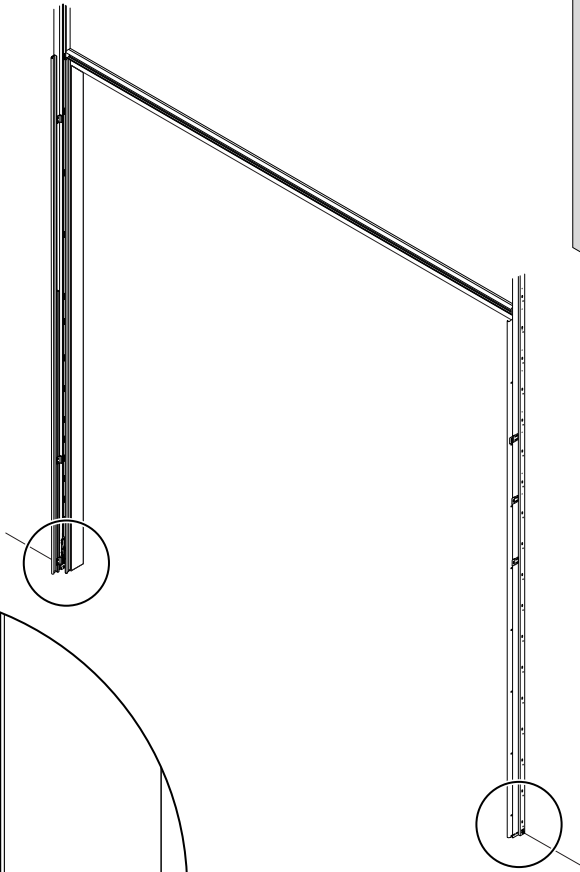
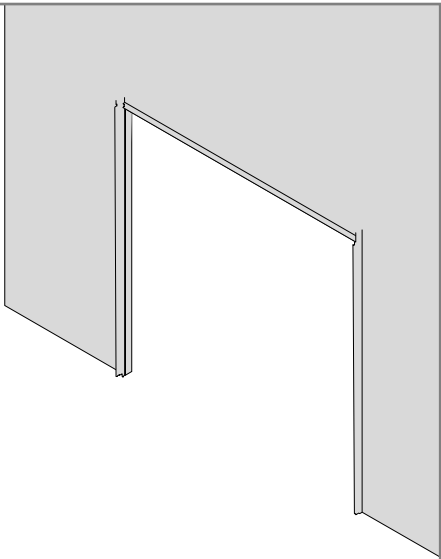
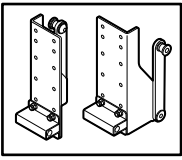


A - L+R



B - L+R



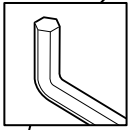


L+R

L+R

L+R

L+R



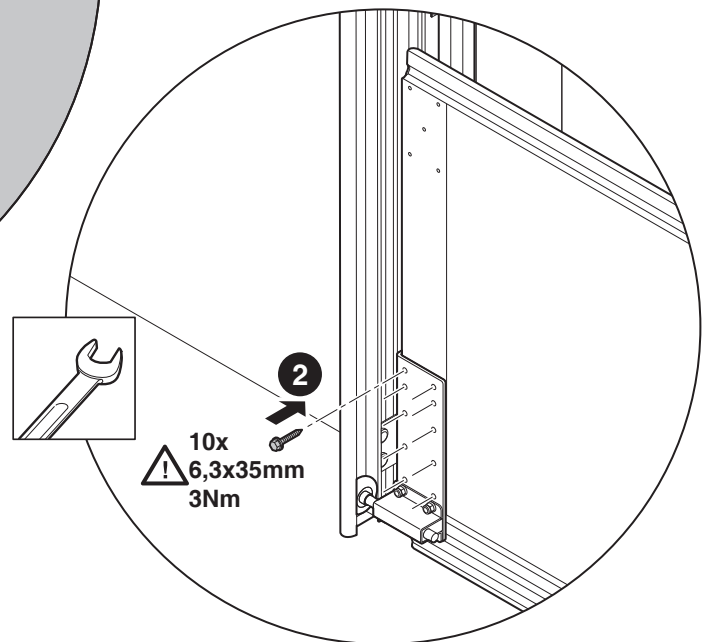
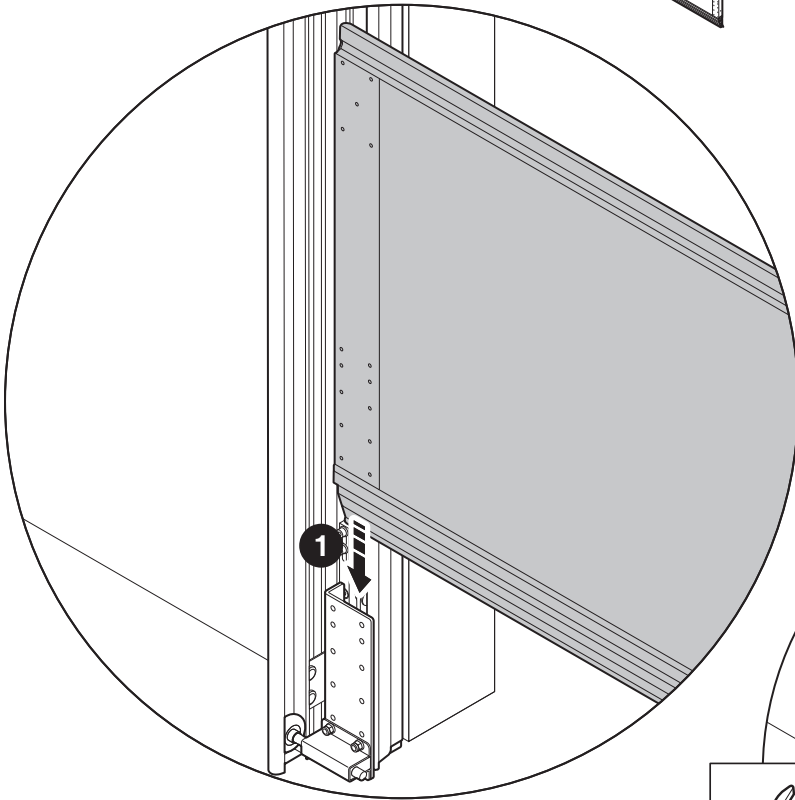
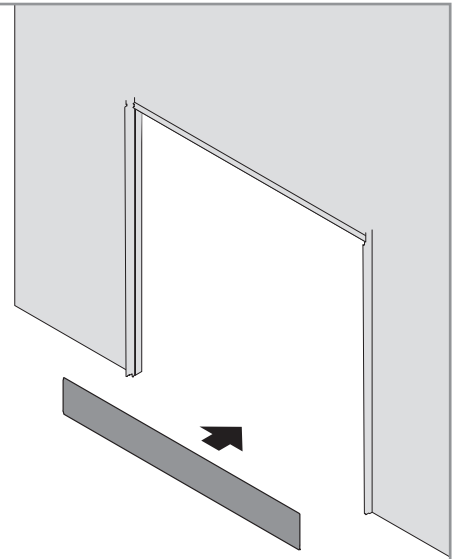
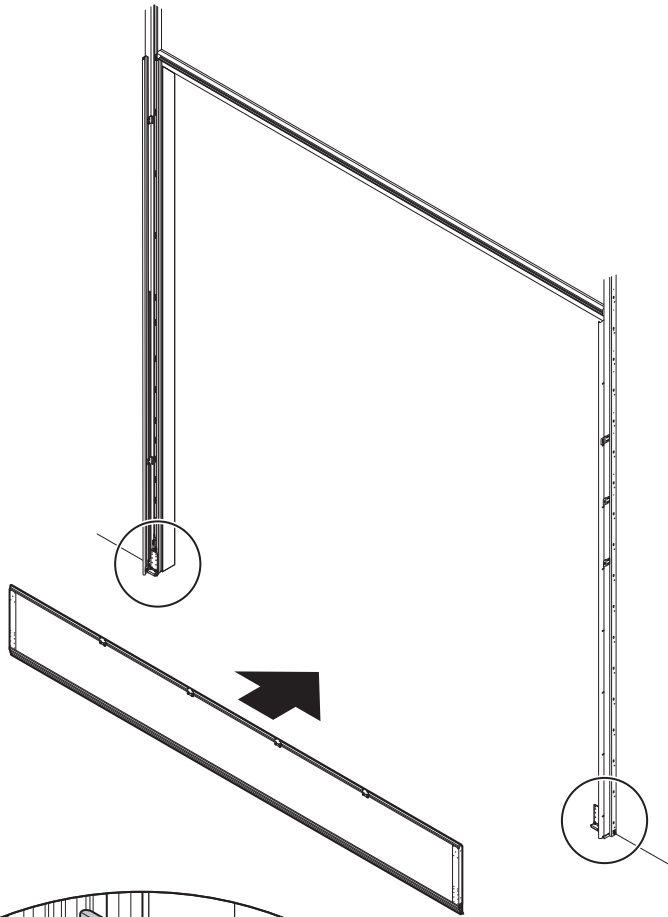
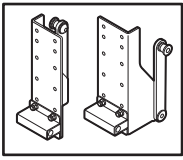
1

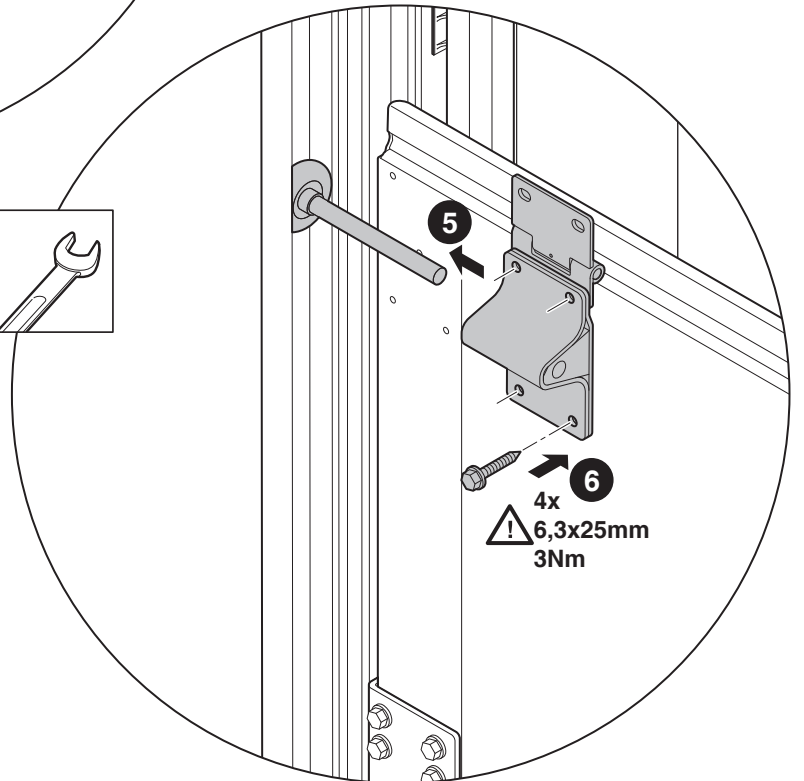
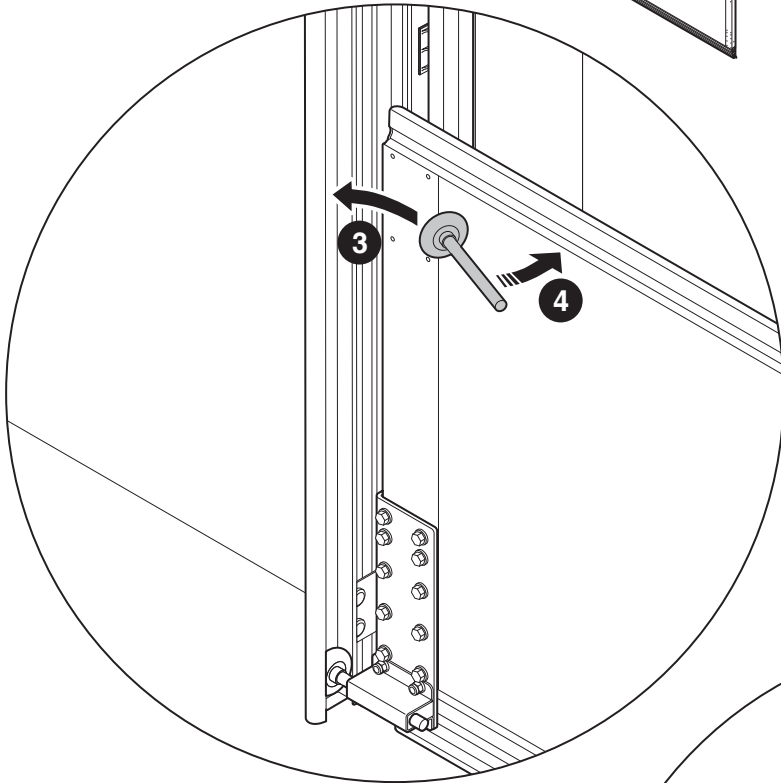
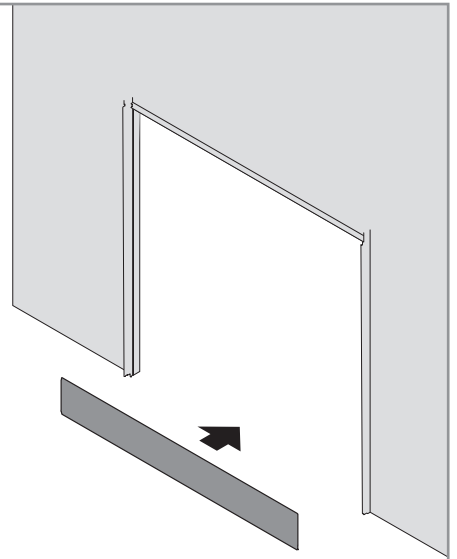
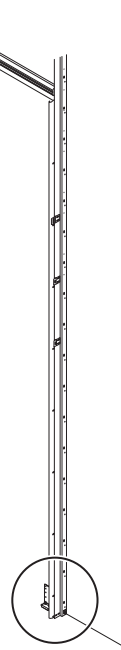
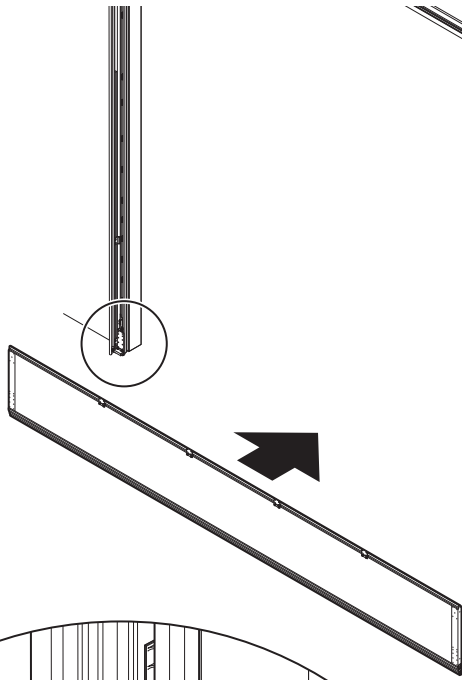
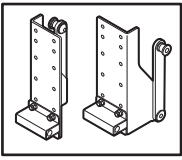
2

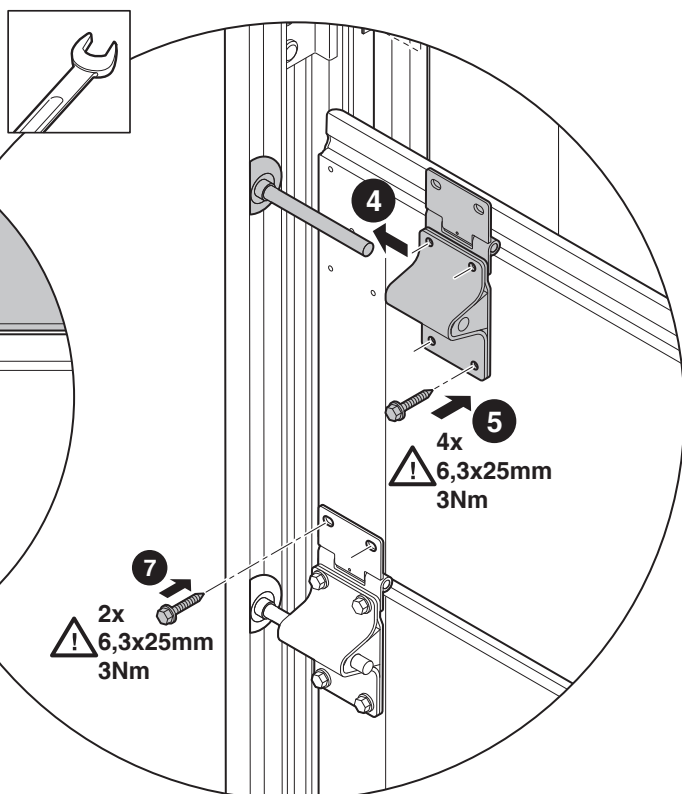
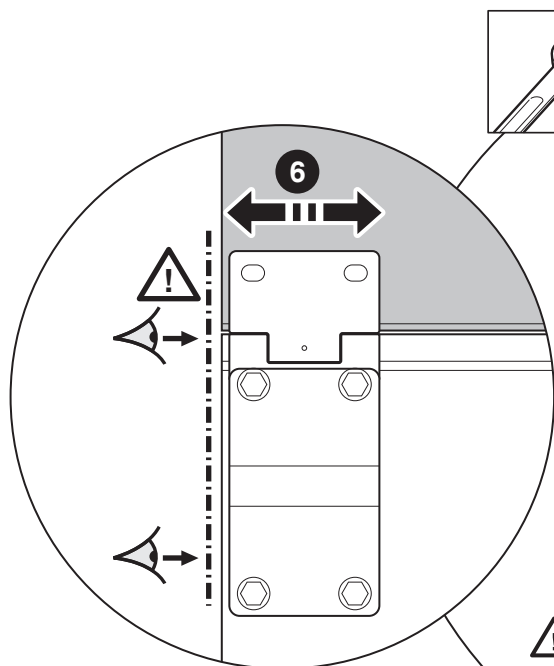
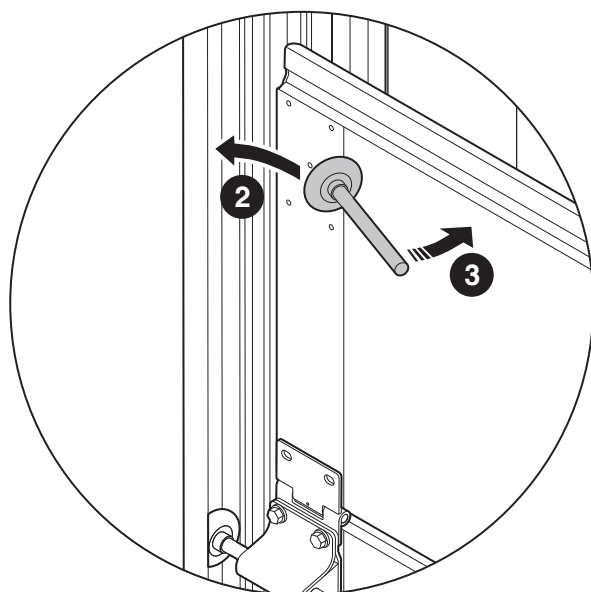
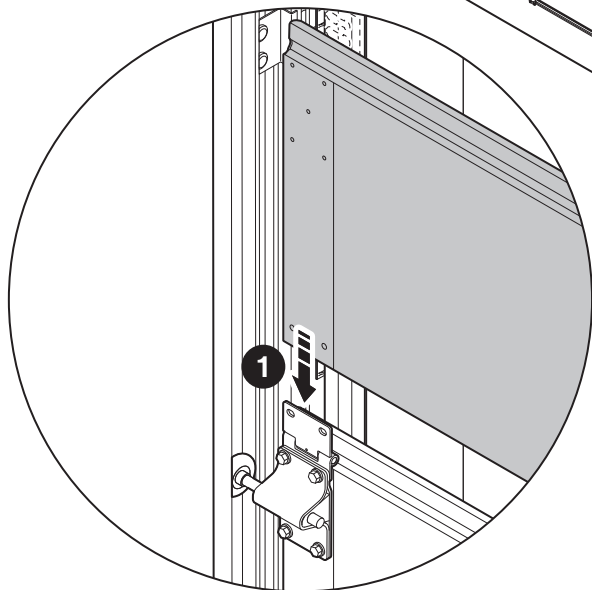
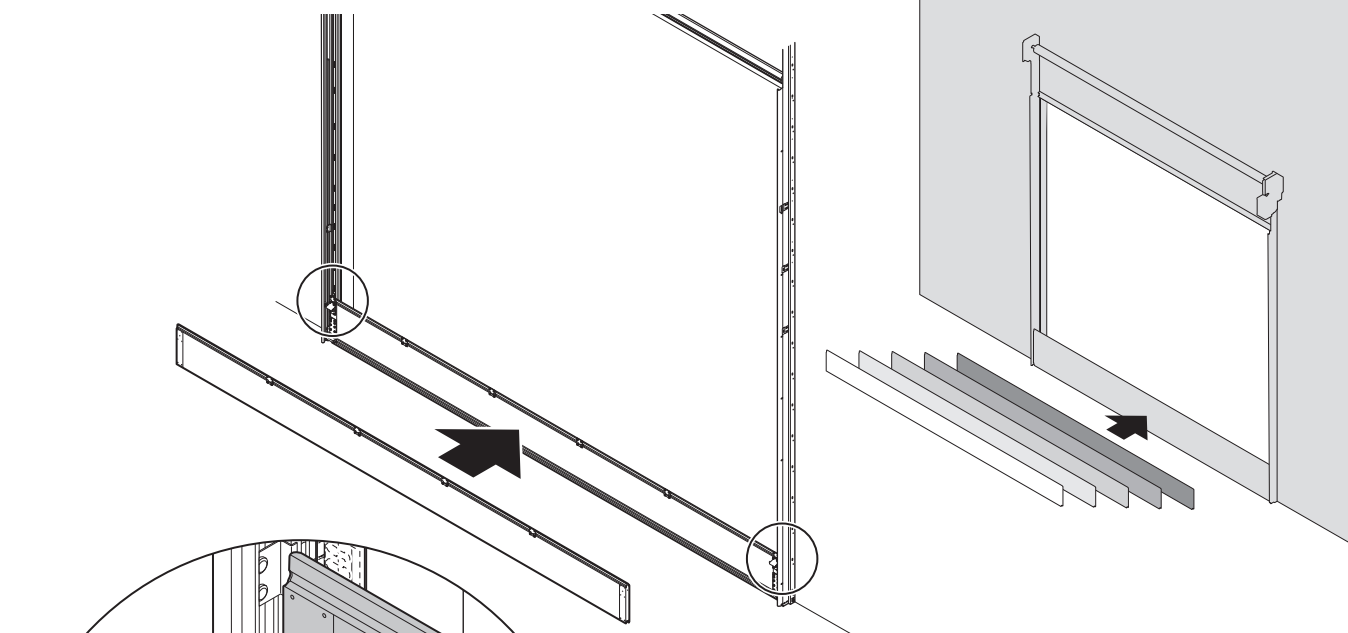
3

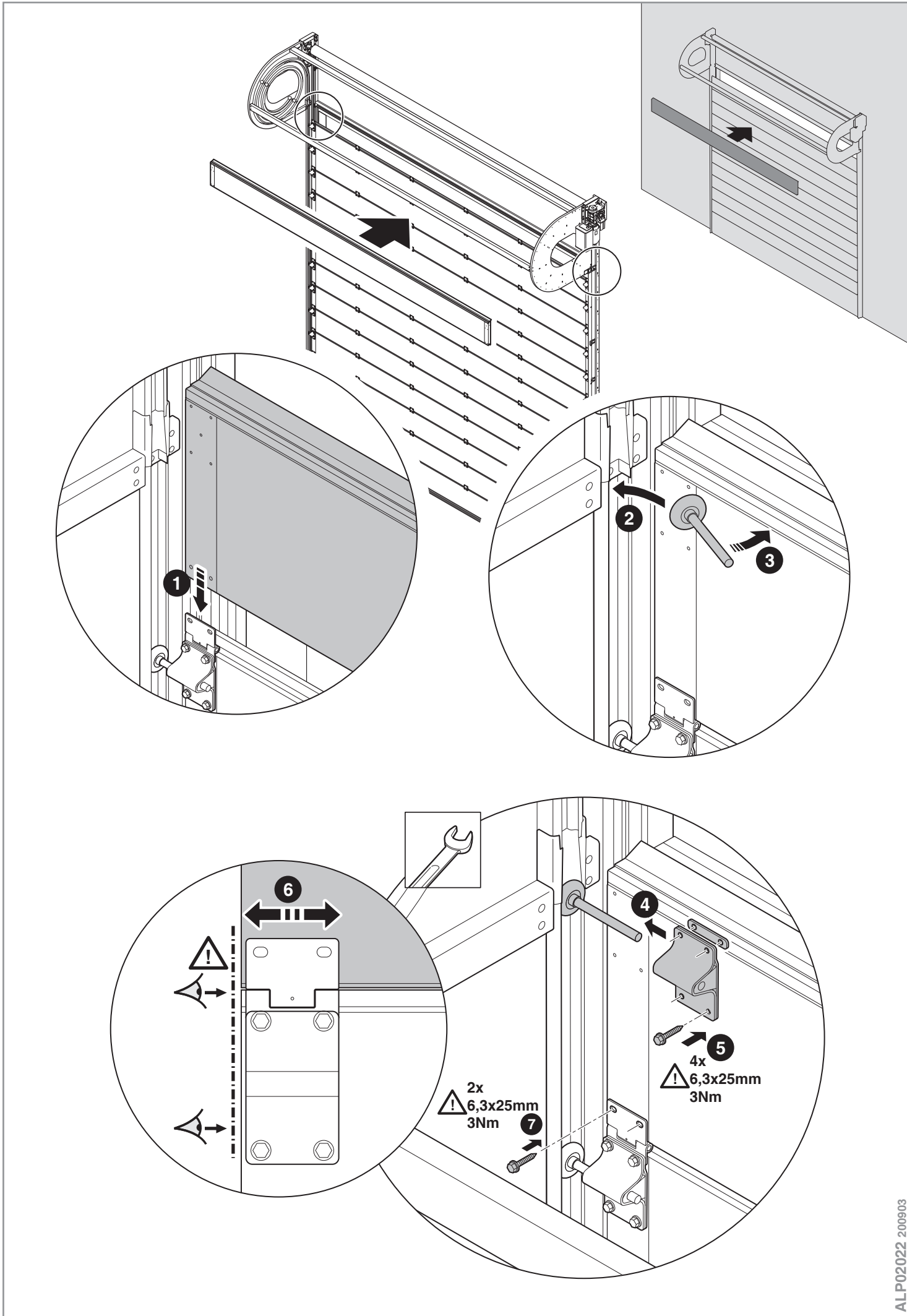
4

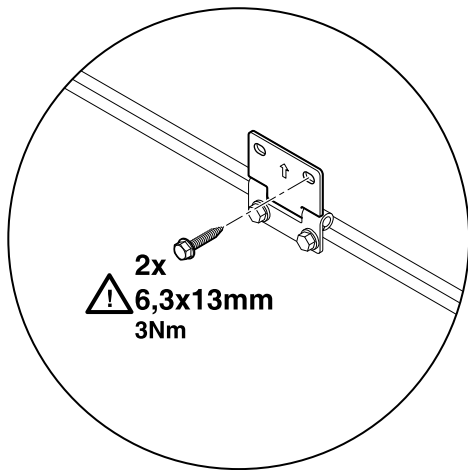
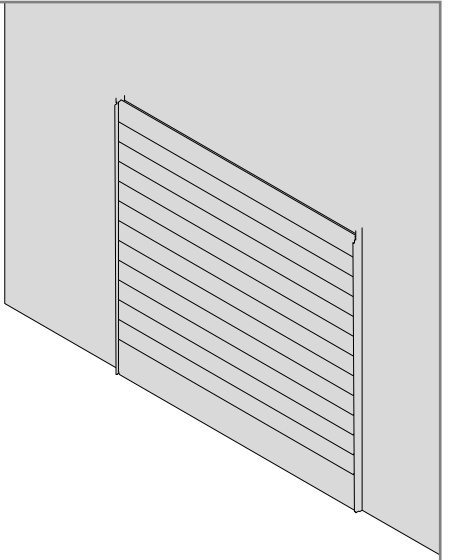
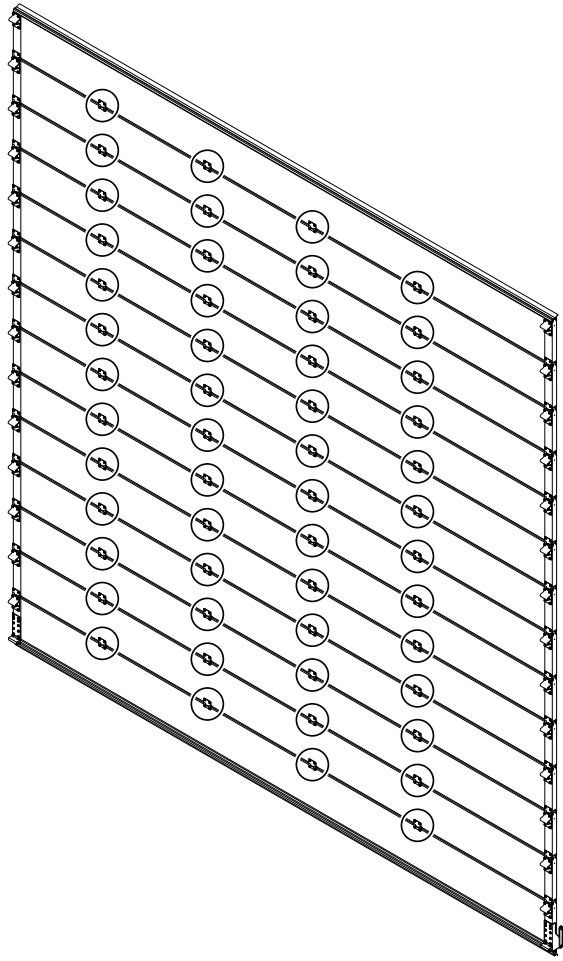
5



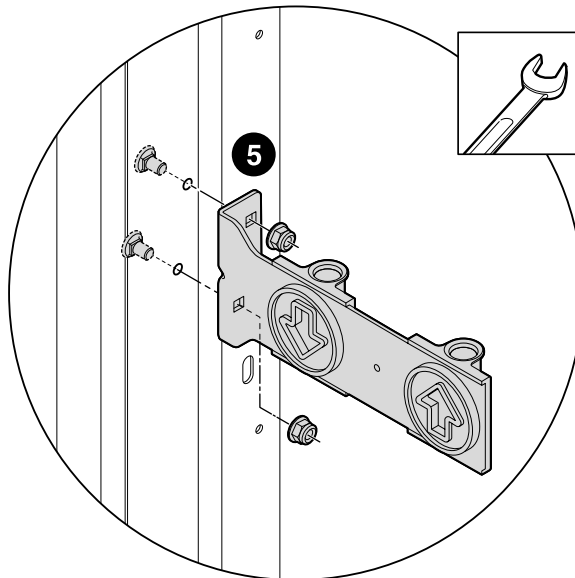
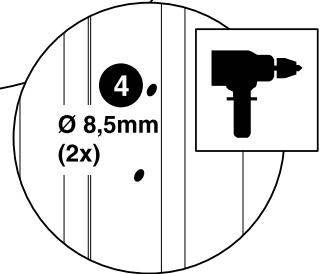
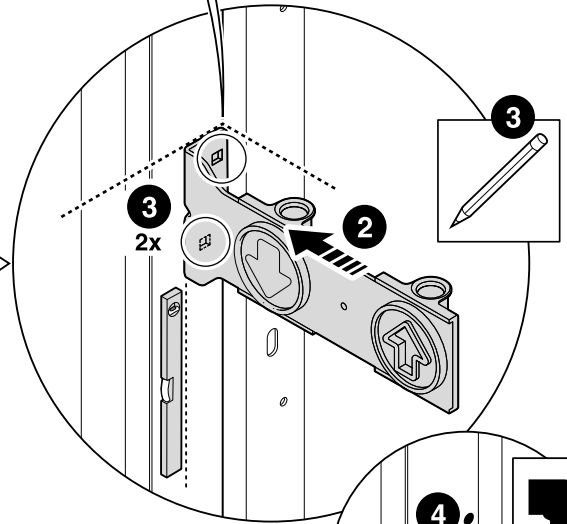
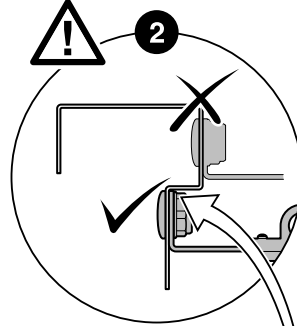
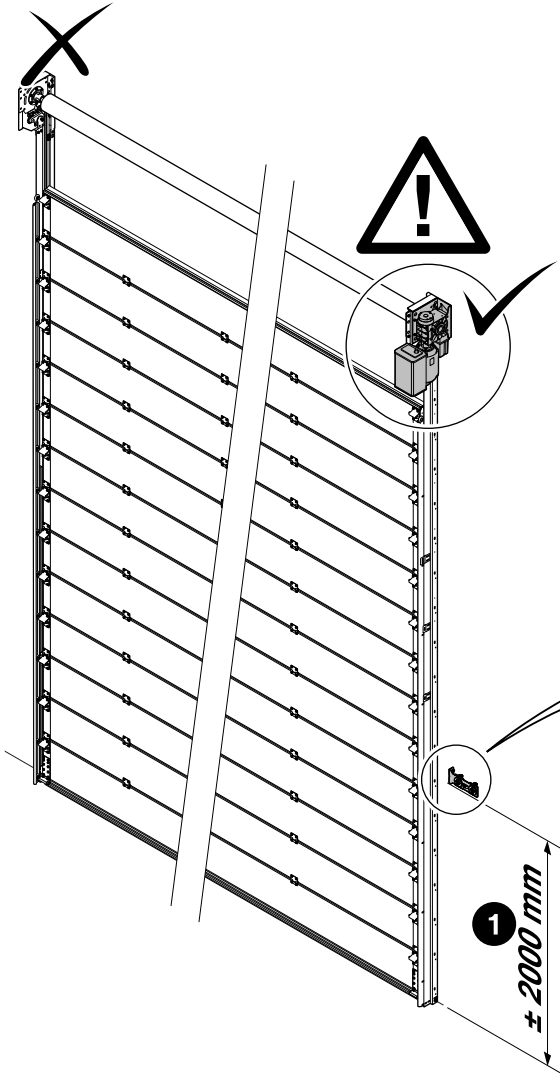
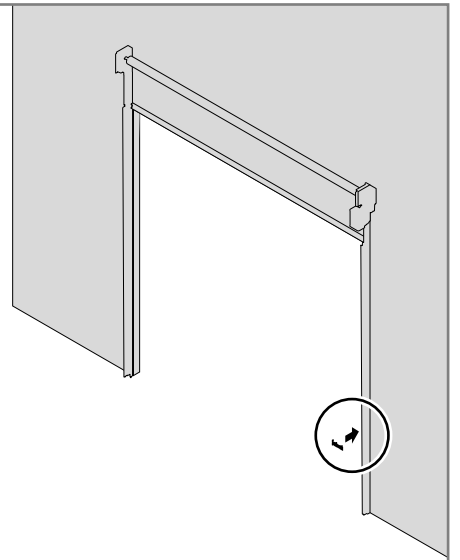
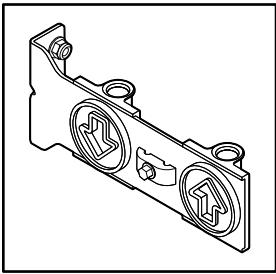




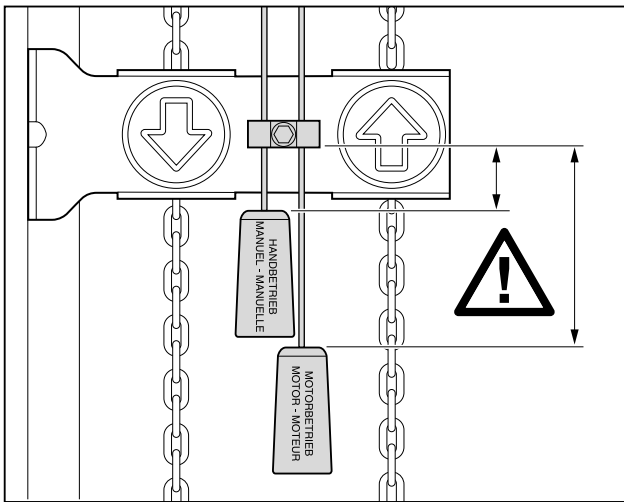
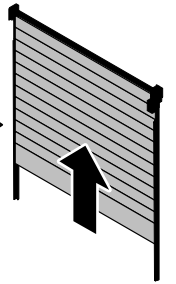
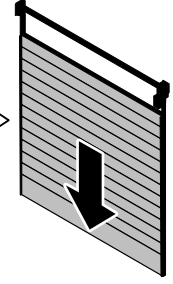
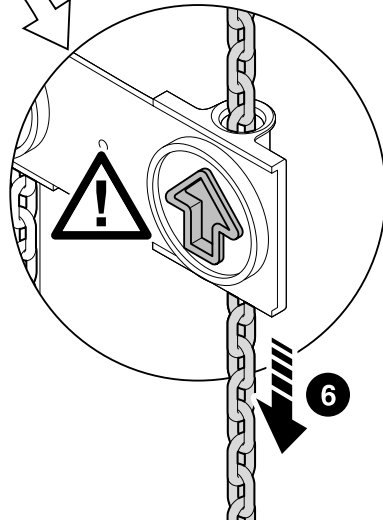
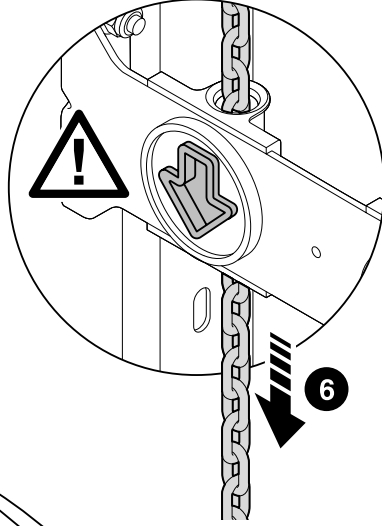
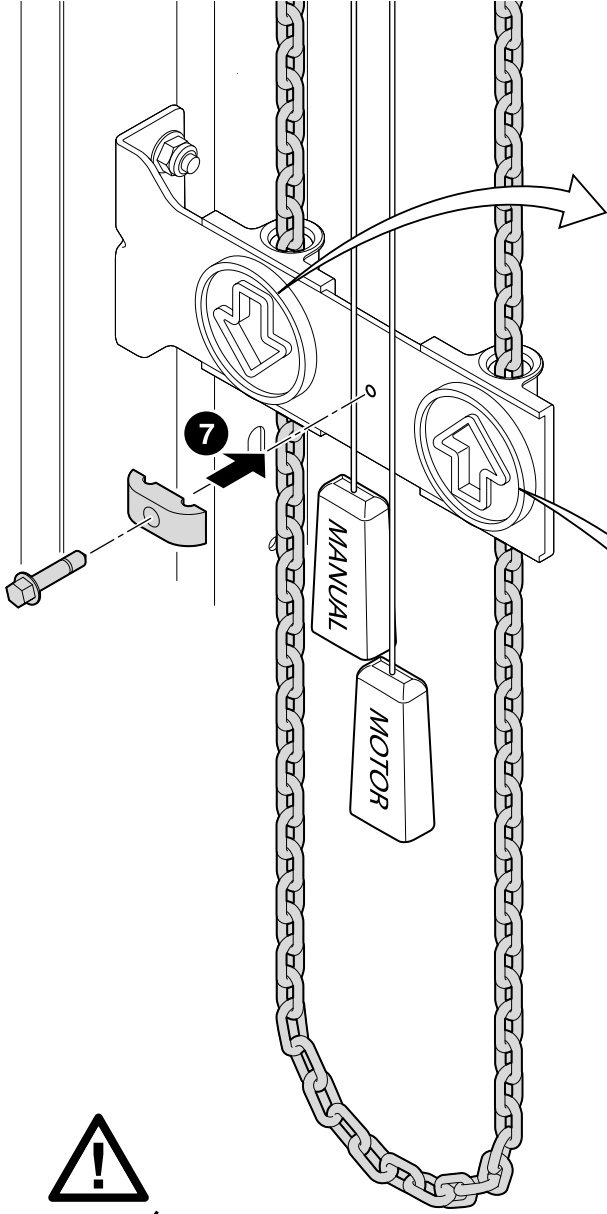
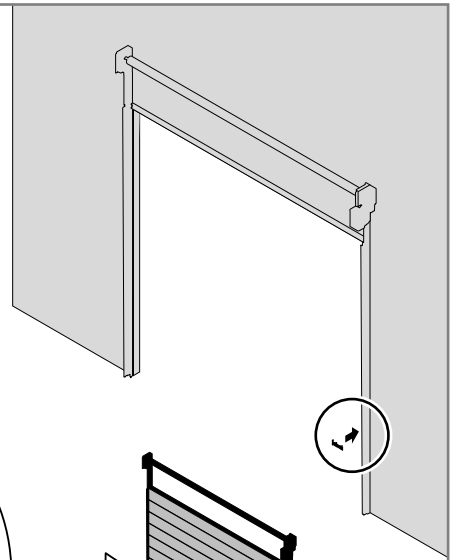
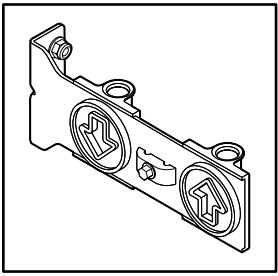


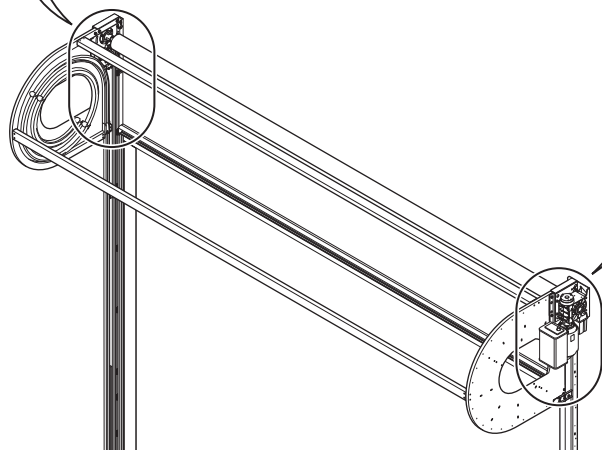
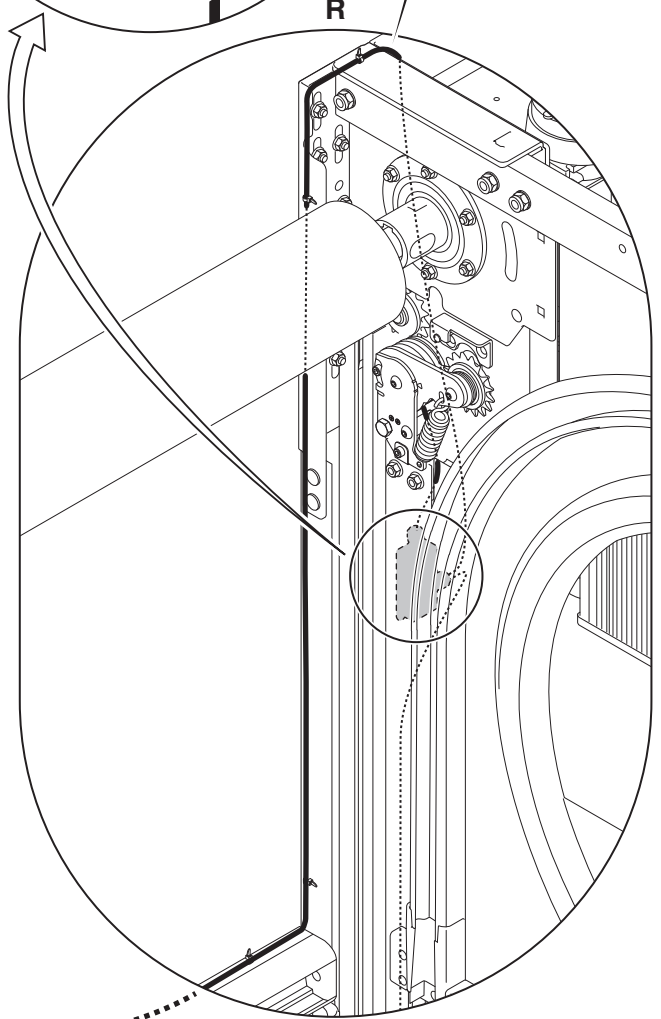
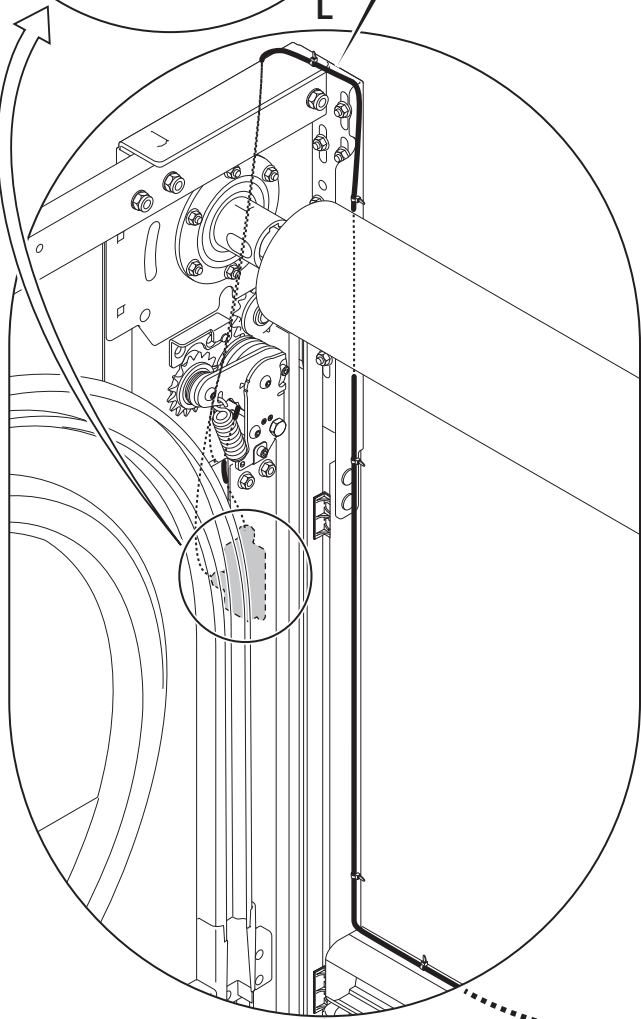
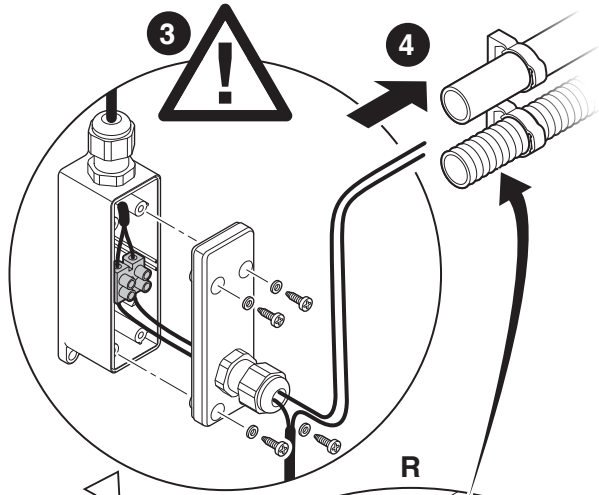
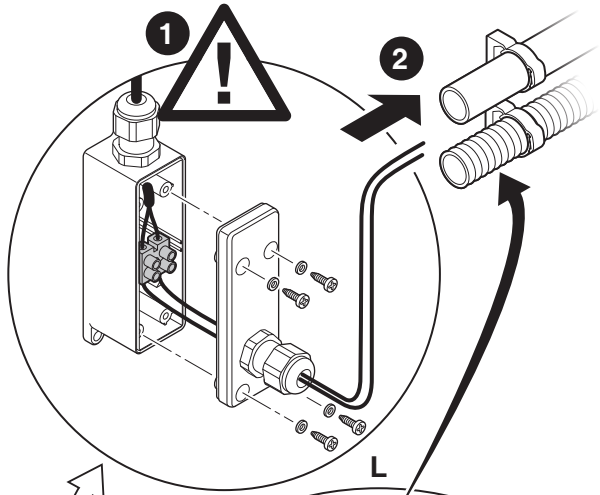


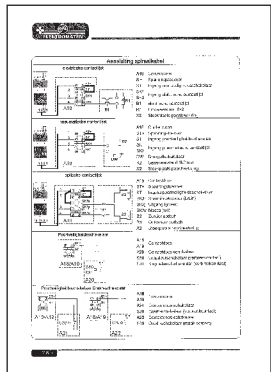
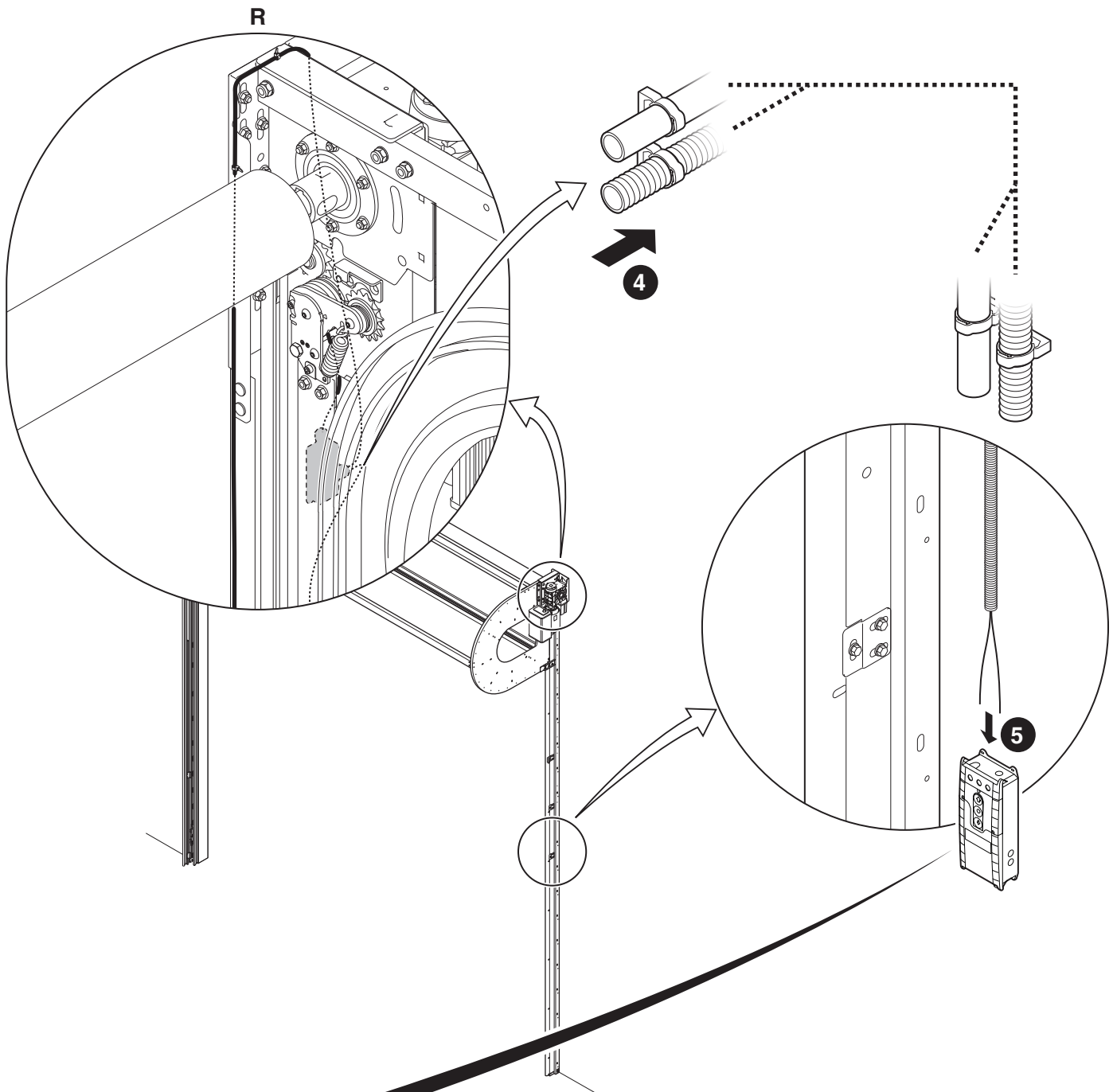
2x  
⚠ 6,3x13mm  
3Nm



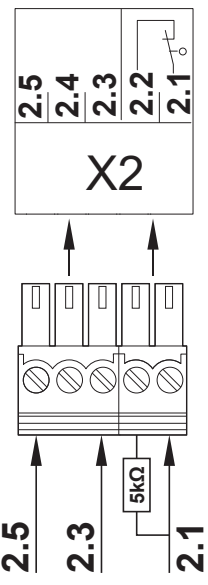
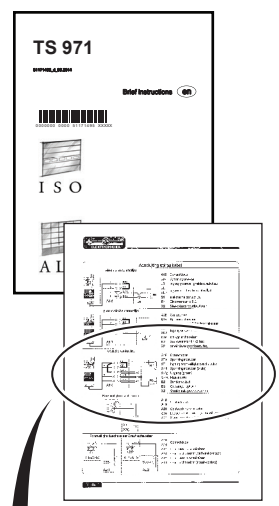
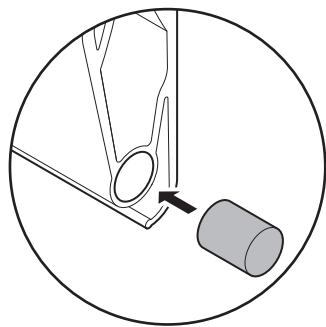
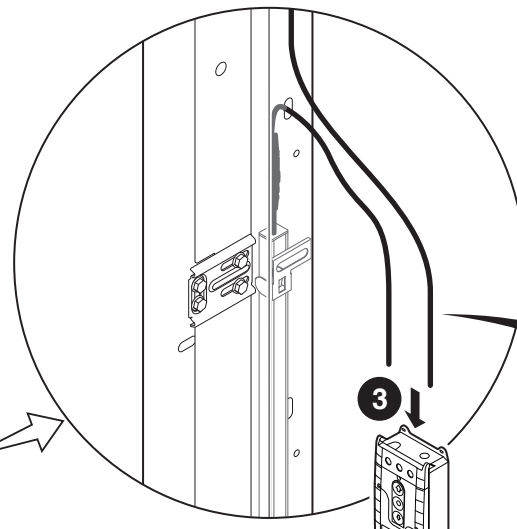
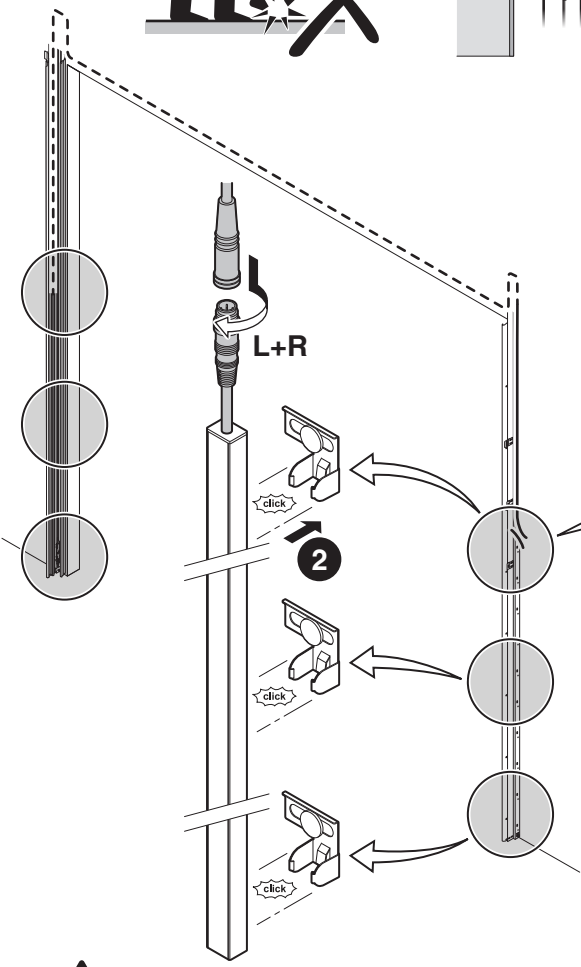
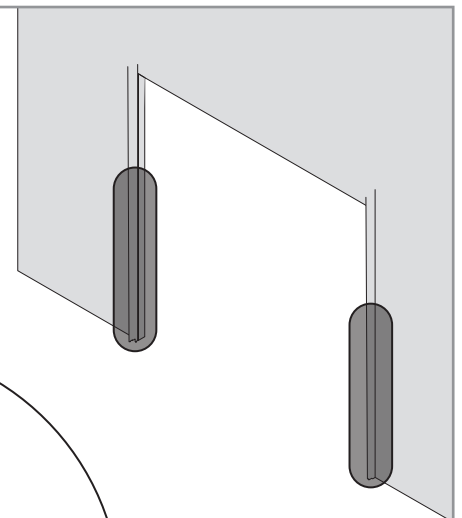
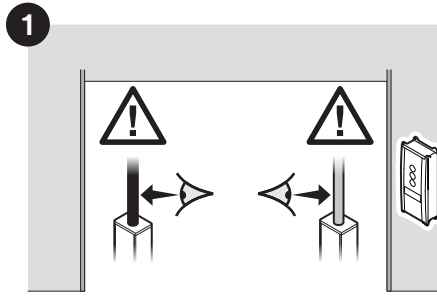








Farbe/Kleur/ Colour/Couleur	'Anschluss/ Aansluiting/ Connection/Raccordement	Funktion /Functie/ Function/ Fonction
Kabel 1 Kabel 1 Cable 1 Câble 1	3.1 X3-Gateway 3.1 X3-Poort 3.1 X3-Gateway 3.1 X3-Port	Anschluss Steuerung Aansluiting sturing Connection controller Raccordement commande
Kabel 2 Kabel 2 Cable 2 Câble 2	3.2 X3-Gateway 3.2 X3-Poort 3.2 X3-Gateway 3.2 X3-Port	Anschluss Steuerung Aansluiting sturing Connection controller Raccordement commande



Sender SGT/ Zender SGT/ Transmitter SGT/ Émetteur SGT		
Farbe/Kleur/ Colour/Couleur	'Anschluss/ Aansluiting/ Connection/Raccordement	Funktion /Functie/ Function/ Fonction
Braun/Bruin/ Brown/Brun	24V / 2.1	Zuführung/Voeding/ Power supply/Alimentation
Blau/Blauw/ Blue/Bleu	GND / 2.5	
Schwarz/Zwart/ Black/Noir	Kein Anschluss/Geen aansluiting/ No connection/Pas de raccordement	-
Weiß/Wit/ White/Blanc	Kein Anschluss/Geen aansluiting/ No connection/Pas de raccordement	-



Empfänger SGR/ Ontvanger SGR/ Receiver SGR/ Récepteur SGR		
Farbe/Kleur/ Colour/Couleur	'Anschluss/ Aansluiting/ Connection/ Raccordement	Funktion /Functie/ Function/ Fonction
Braun/Bruin/ Brown/Brun	24V / 2.1	Anschluss Steuerung Aansluiting sturing Connection controller Raccordement commande
Blau/Blauw/ Blue/Bleu	2.5	
Schwarz/Zwart/ Black/Noir	2.3	
Weiß/Wit/ White/Blanc	Kein Anschluss/ Geen aansluiting/ No connection/ Pas de raccordement	







© Copyright Alpha deuren International b.v.

This manual was prepared and issued by Alpha deuren International B.V. Netherlands. It is supplied to approved agents of Alpha deuren International B.V.

All rights are reserved. The information in this document is the property of Alpha deuren International B.V., the Netherlands.

Disclosure of this information or any part of it to third parties is prohibited, except with prior and express written permission of Alpha deuren International B.V., the Netherlands.

Alpha deuren International b.v., Pittelderstraat 10, 6942 GJ Didam, The Netherlands, [www.alpha-deuren.nl](http://www.alpha-deuren.nl)